

COGNEX

DataMan 8700 Series Handheld Barcode Readers

Cutting-edge performance for the toughest codes



DataMan 8700 Series Handheld Barcode Readers

Cutting-edge performance
for the toughest codes

The DataMan® 8700 series are rugged handheld barcode readers designed to excel in harsh manufacturing environments. Reliably read imperfect direct part markings (DPMs) and label-based codes while withstanding oil, water, dirt and repeated collisions. Quickly setup, scan, and review feedback with the built-in OLED display and a range of industrial protocols and communication options.

- Oil and water resistant
- High capacity battery
- Advanced integrated lighting
- Rapid code reading
- Versatile communication options
- Audio, visual, and haptic user feedback

Robust Handheld Reader

DataMan 8700 series readers are built to endure relentless manufacturing environments, improving throughput and operational efficiency by thriving where other readers fail. With resilient IP67-rated housing, DataMan 8700 series readers adhere to ISO oil-resistance standards, can function in up to one meter of water, and can withstand multiple drops from 2.5 meters onto concrete.



**DataMan
8700DX**

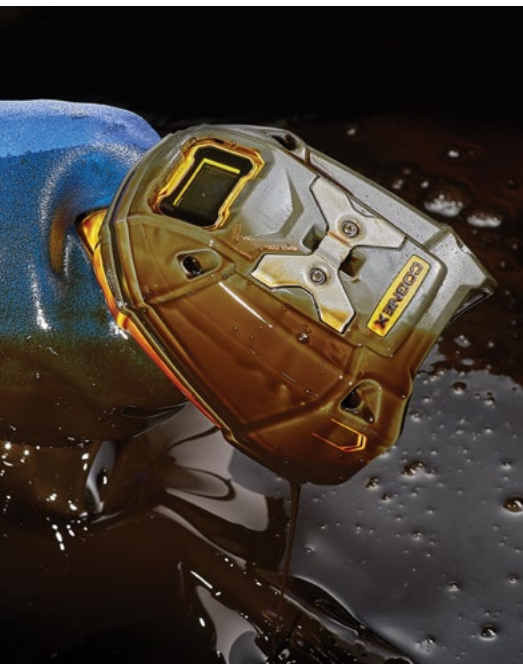
**DataMan
8700DQ**



**DataMan
8700LX**



**DataMan
8700HD**

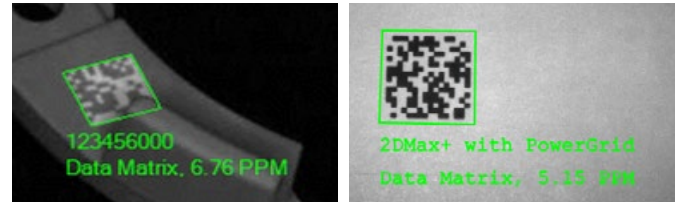


Premium read performance in milliseconds allows operators to reach higher throughput with less effort

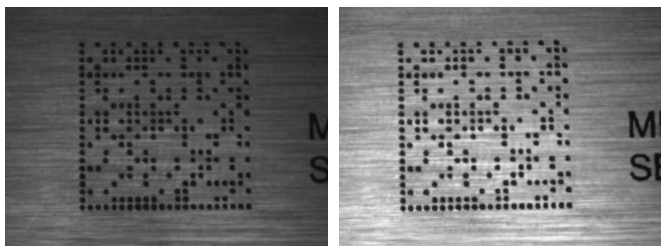
DataMan 8700 series readers are equipped with the latest patented decoding algorithms and a multi-core processor to read codes in less than 150 milliseconds.



1DMax® with Hotbars® is optimized for omnidirectional 1D barcode reading and decodes low-resolution codes up to 10X the speed of a conventional barcode reader.



2DMax® with PowerGrid® is designed to read 2D codes with significant damage or complete elimination of finder and clocking pattern, or quiet zone.



No HDR

With HDR

High Dynamic Range (HDR) enables you to read codes in low-contrast conditions, using an advanced image sensor to reduce dark noise, improve saturation capacity, and interpret low-light codes



High speed multi-core processor provides ultra-high speed decode response times, enabling operators to scan codes faster.

Intuitive design for optimal efficiency

- **Configure anywhere, anytime:** OLED display screen and on-device controls enable operators to setup and start scanning without connecting to a PC.
- **Integrated data dashboard:** View important information such wireless signal strength, battery life, and code information details from the OLED display on the device.
- **Clean, consistent information:** Naming your reader allows you to easily identify the corresponding base station.
- **Clear operator feedback:** Powerful audio tone, color-coded lights, and vibration alert.



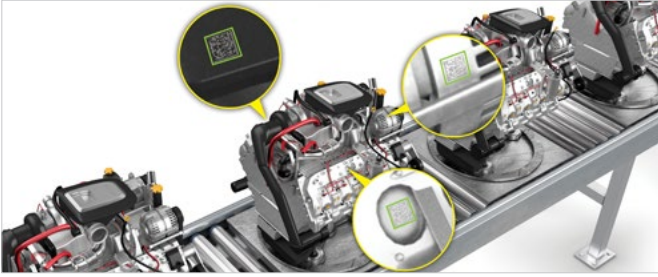
Easy connectivity

On-board industrial protocols enable the DataMan 8700 to seamlessly connect to PLCs and networks.

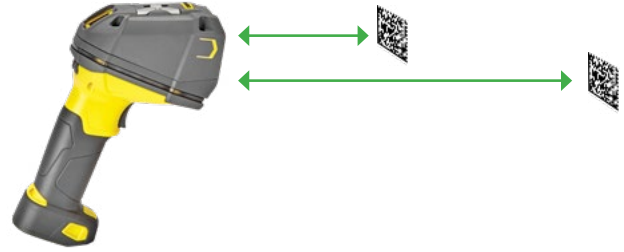
DataMan 8700 supports multiple communication options including corded and wireless options:

- **Wi-Fi:** Roam any facility and reach any code in a secure environment by connecting a DataMan 8700 reader to a wireless router for ultimate mobility.
- **Bluetooth direct connect:** Pair your reader to a phone, PC, or tablet to review and populate codes to a smart device.
- **Bluetooth connection to intelligent base station:** The intelligent base station has the ability to communicate with a PLC or PC via Ethernet with industrial protocols, serial RS-232, or USB.
- **Corded:** Continuous communication to a device with USB, RS-232, and Ethernet with industrial protocols.

Key DataMan 8700DX features



Integrated **diffuse, polarized, and direct lighting** enables superior image formation to read dot peen, laser-etched, and label-based codes on challenging (shiny, cylindrical, dark) surfaces without any hot spots.



High Speed Liquid Lens (autofocus) technology automatically adapts to changes in working distances without any reconfiguration or wait time to focus. It enables greater depth of field range without compromising optical quality to read codes faster and easier at distances near and far.

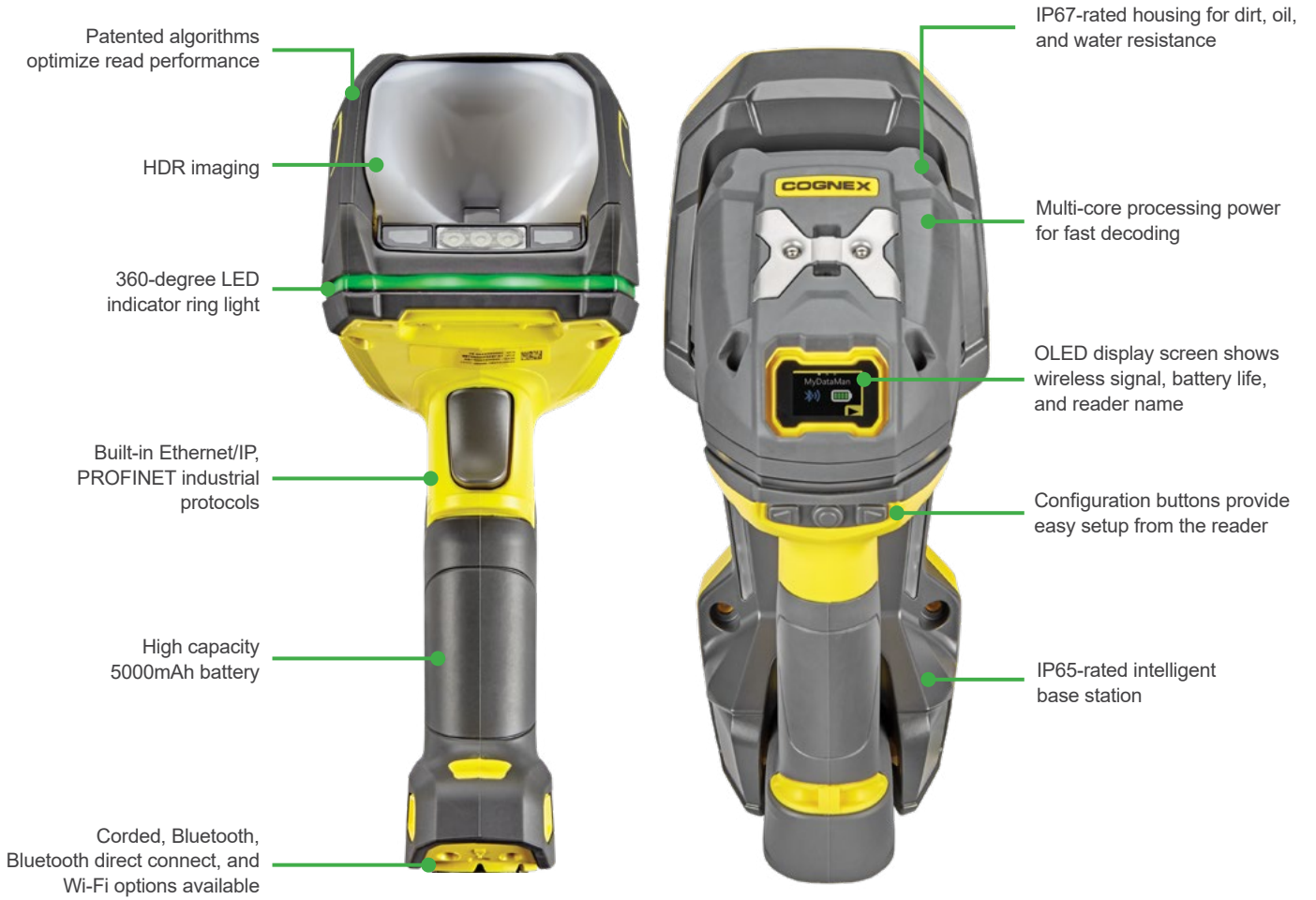
Choosing the right model

	DX	DQ	LX	HD
Challenging DPM codes*	✓			
Well-marked DPM codes*	✓	✓		✓
Printed labels	✓		✓	✓
High Speed Liquid Lens (HSSL)	✓			
Minimum 1D/2D code size	3 mil / 5 mil	3 mil / 5 mil	4 mil / 5 mil	2 mil / 2 mil
Illumination	Integrated red diffuse, polarized, and direct	White diffuse	Red direct	Red diffuse
Connectivity				
Ethernet with industrial protocols	✓	✓	✓	✓
USB	✓	✓	✓	✓
RS-232	✓	✓	✓	✓
Bluetooth direct connect	✓	✓	✓	✓
Wi-Fi	✓	✓	✓	✓
Bluetooth to Base Station	✓	✓	✓	✓

*Well-marked DPM codes can come in a number of forms including dot peen, laser-etched, inkjet, etc. What separates a challenging versus a well-marked DPM code is damage or wear and tear on a code, shiny or textured backgrounds, or improper marking.

Rugged design with innovative technology

Platform features



DataMan 8700DX

Integrated diffuse, polarized, and direct lighting



DataMan 8700DQ

White diffuse lighting



DataMan 8700LX

Red direct lighting



DataMan 8700HD

Red diffuse lighting



8700 Series Specifications

Algorithms	1DMax, 2DMax, Hotbars, PowerGrid
Resolution	1.6MP
Status Outputs	OLED display, LED ring light, beeper, vibration
Communications	Serial: RS-232 and USB Ethernet: TCP/IP, FTP, industrial protocols: EtherNet/IP, PROFINET, MC protocol, Modbus TCP Intelligent base station: RS-232, USB, Ethernet, industrial protocols Bluetooth connectivity: smartphone, intelligent base station, Bluetooth enabled tablet or PC Wireless infrastructure mode connectivity: PC through Wi-Fi router
Symbologies	1D: UPC/EAN/JAN, Codabar, Interleaved 2 of 5, Code 39, Code 128, Code 93, POSTNET, PLANET Code, IMB, Postal 2D: Data Matrix, QR, MicroQR, PDF417, MaxiCode, Aztec
Operating Temperature	0°C–40°C (32°F–104°F)
Storage Temperature	-40°C–60°C (-40°F–140°F)
Maximum Humidity	95% (non-condensing)
Power Supply Requirements	DataMan 8700 with serial/USB: 5.5 V DC, 6.0 W maximum LPS or NEC Class 2 power supply DataMan 8700 with Ethernet: PoE Class 2 power supply DataMan 8700 with Bluetooth: 3.7 V, 5000 mAh Li-ion battery DataMan Intelligent Base Station: 5.5 V DC, 6 W maximum LPS or NEC Class 2 power supply or PoE Class 2 power supply
Wireless Unit Scans per Full Charge	125,000+
Protection	Handheld reader: IP67; Base station: IP65
Drop Test	Multiple drops from 2.5 meters
Tumble Test	5,000 tumbles from 1 meter
Environmental	Compliant with latest EU RoHS and China RoHS
Regulatory	EU: CE EMC & RED; USA/Canada: cTUVus IEC 61010-1, part 15, ICES 03; Korea: KCC; India: BIS and WPC; China: SRRC; Brazil: ANATEL; Mexico: NOM and IFETEL; Japan: MIC
Data Validation	US DoD UID guidelines, GS-1, ISO15434 and ISO15418
Operating System	Windows 7 and Windows 10

Model Specifications

		8700DX	8700DQ	8700LX	8700HD
Lens		8 mm lens with liquid lens	6.2 mm fixed lens	8 mm fixed lens	12 mm fixed lens
Lighting		Red diffuse, polarized, direct	White diffuse	Red direct	Red diffuse
Aimer		On-axis green LED aimer		Dual off-axis green LED aimers	
Minimum 1D/2D code size		3 mil/5 mil	3 mil/5 mil	4 mil/5 mil	2 mil/2 mil
Dimensions	Wireless	221 mm (H) x 114.1 mm (L)	211.4 mm (H) x 113.1 mm (L)		
	Corded	233.2 mm (H) x 114.1 mm (L)	223.4 mm (H) x 113.1 mm (L)		
Weight	Wireless	548 g (battery included)	479 g (battery included)		489 g (battery included)
	Corded	450 g (+ approx. 130 g for cables)	395 g (+ approx. 130 g for cables)		405 g (+ approx. 130 g for cables)

Product IDs

DataMan 8700 Barcode Readers


	DX	DQ	LX	HD
Corded Ethernet with industrial protocols	DMR-8700DX-E	DMR-8700DQ-E	DMR-8700LX-E	DMR-8700HD-E
Corded USB	DMR-8700DX-USB	DMR-8700DQ-USB	DMR-8700LX-USB	DMR-8700HD-USB
Corded RS-232	DMR-8700DX-RS	DMR-8700DQ-RS	DMR-8700LX-RS	DMR-8700HD-RS
Bluetooth Direct Connect	DMR-8700DX-BT	DMR-8700DQ-BT	DMR-8700LX-BT	DMR-8700HD-BT
Wi-Fi	DMR-8700DX-WIFI-GS	DMR-8700DQ-WIFI-GS	DMR-8700LX-WIFI-GS	DMR-8700HD-WIFI-GS

DataMan 8700 Barcode Readers with Base Station






	DX	DQ	LX	HD
Bluetooth Reader with RS-232 Base Station	DMR-8700DX-B-RS	DMR-8700DQ-B-RS	DMR-8700LX-B-RS	DMR-8700HD-RS
Bluetooth Reader with USB Base Station	DMR-8700DX-B-USB	DMR-8700DQ-B-USB	DMR-8700LX-USB	DMR-8700HD-B-USB
Bluetooth Reader with Ethernet Base Station	DMR-8700DX-B-E	DMR-8700DQ-B-E	DMR-8700LX-B-E	DMR-8700HD-B-E

Components and accessories





Base Stations

	Product ID	Description
	DMB-8700-RS	DM8700 Base Station with RS-232 Slide-In
	DMB-8700-USB	DM8700 Base Station with USB Slide-In
	DMB-8700-E	DM8700 Base Station with Ethernet Slide-In

Other Accessories

	Product ID	Description
	DMA-WALL-8700	DM8700 Metal Wall Mount
	DMA-HOLSTER-8700	DM8700 Hip Holster
	DMA-STAND-00	Presentation Stand (connects to DMA-WALL-8700)
	DMA-MBC-5000-00	Multi-Bay Charger w/ Power Supply (no AC Cable)
	DMA-BATTERY-5000	Battery for DM8700 Wireless Readers

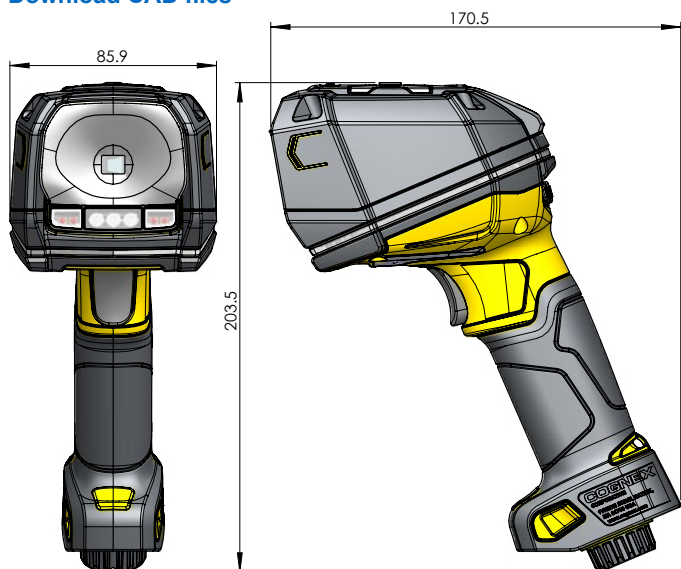
Other Accessories

	Product ID	Description
	DM8700-PWR-00	Power Supply for DM8700 Readers and Base Stations
	DMC-HH-RS232-XX	RS232: Coiled 2.5m, Dsub9 to host
	DMC-HH-RS232-XX	RS232: Coiled 5m, Dsub9 to host
	DMC-HH-USBA-XX	USB: Straight 2.5m, USB-A to host
	DMC-HH-USBA-XXC	USB: Coiled 2.5m, USB-A to host
	DMC-HH-USBC-XX	USB: Straight 2.5m, USB-C to host
	DMC-HH-USBC-XXC	USB: Coiled 2.5m, USB-C to host
	DMC-HH-ENET-XXX	Ethernet: Straight 2.5m (PoE, RJ45 to host)
	DMC-HH-ENET-XXX	Ethernet: Straight 5m, PoE, RJ45 to host
	DMC-HH-ENET-XXX	Ethernet: Straight 30m, PoE, RJ45 to host

Dimensions

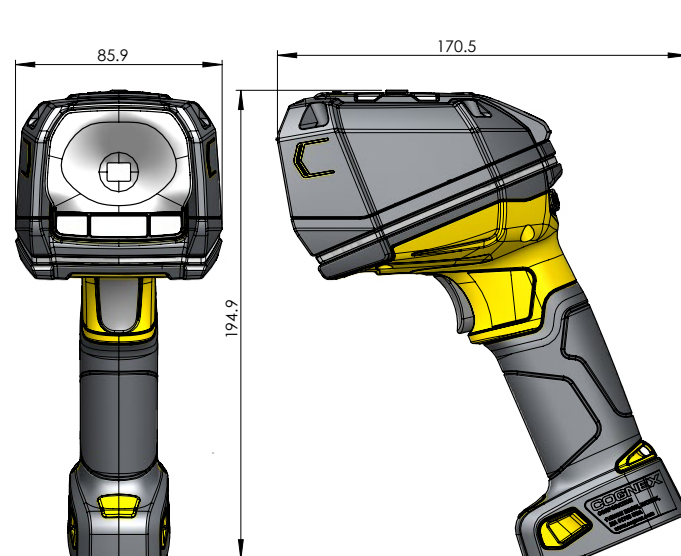
DataMan 8700DX Corded

[Download CAD files](#)



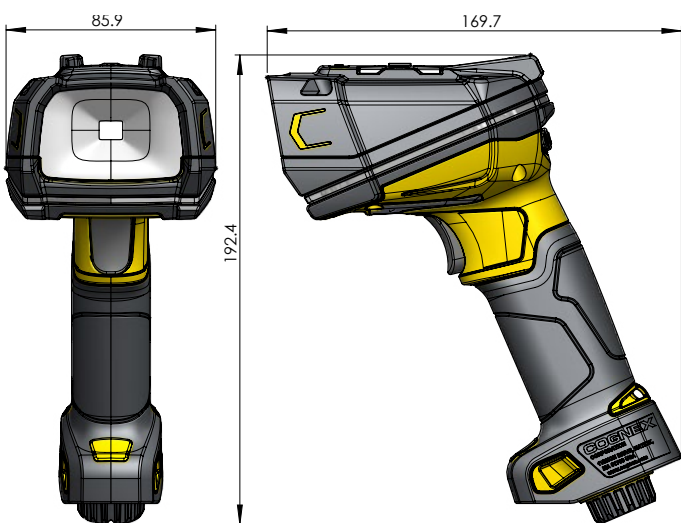
DataMan 8700DX Wireless

[Download CAD files](#)



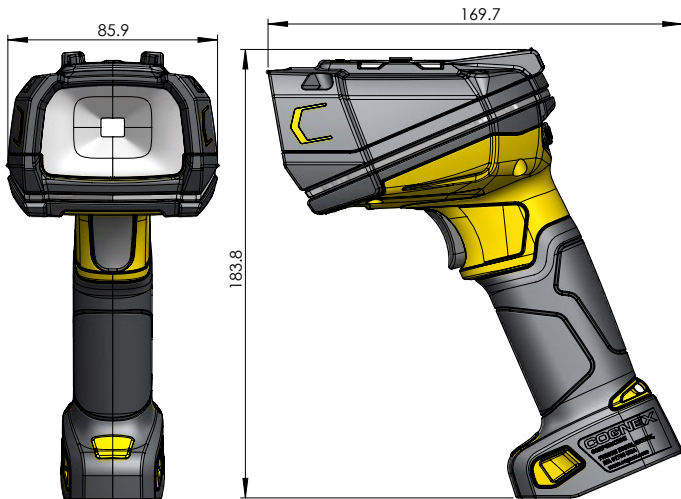
DataMan 8700DQ Corded

[Download CAD files](#)



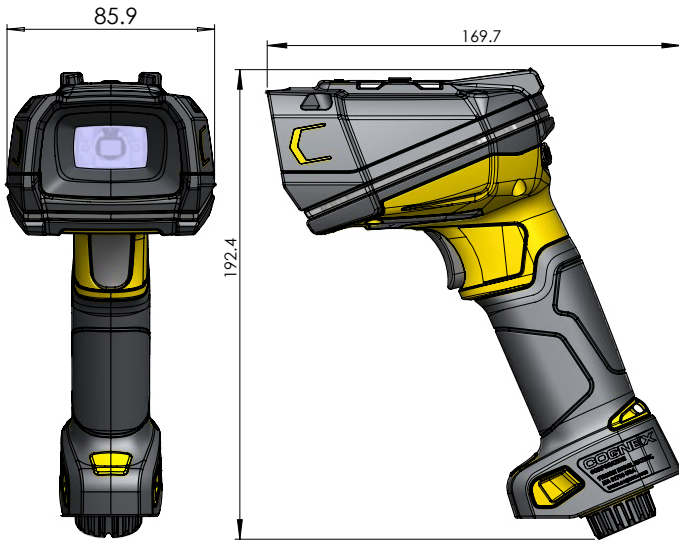
DataMan 8700DQ Wireless

[Download CAD files](#)



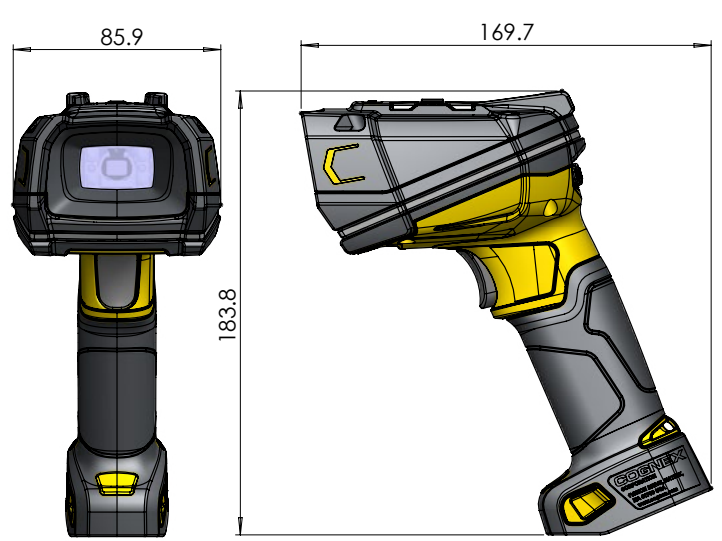
DataMan 8700LX/HD Corded

[Download CAD files](#)



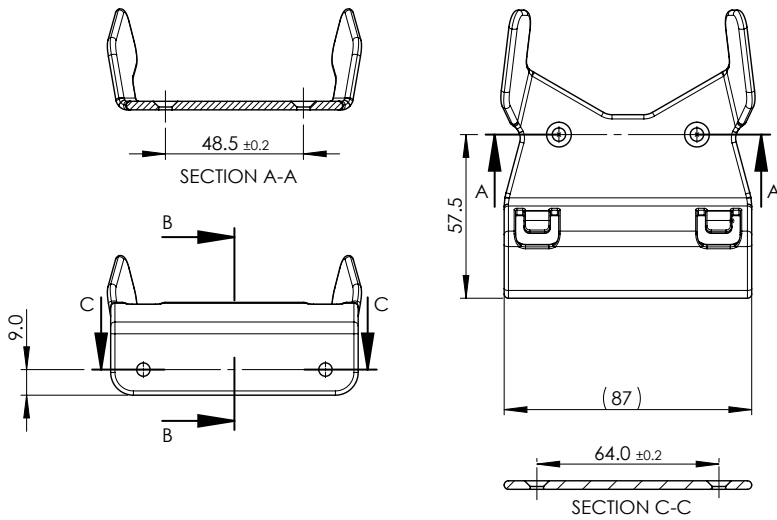
DataMan 8700LX/HD Wireless

[Download CAD files](#)



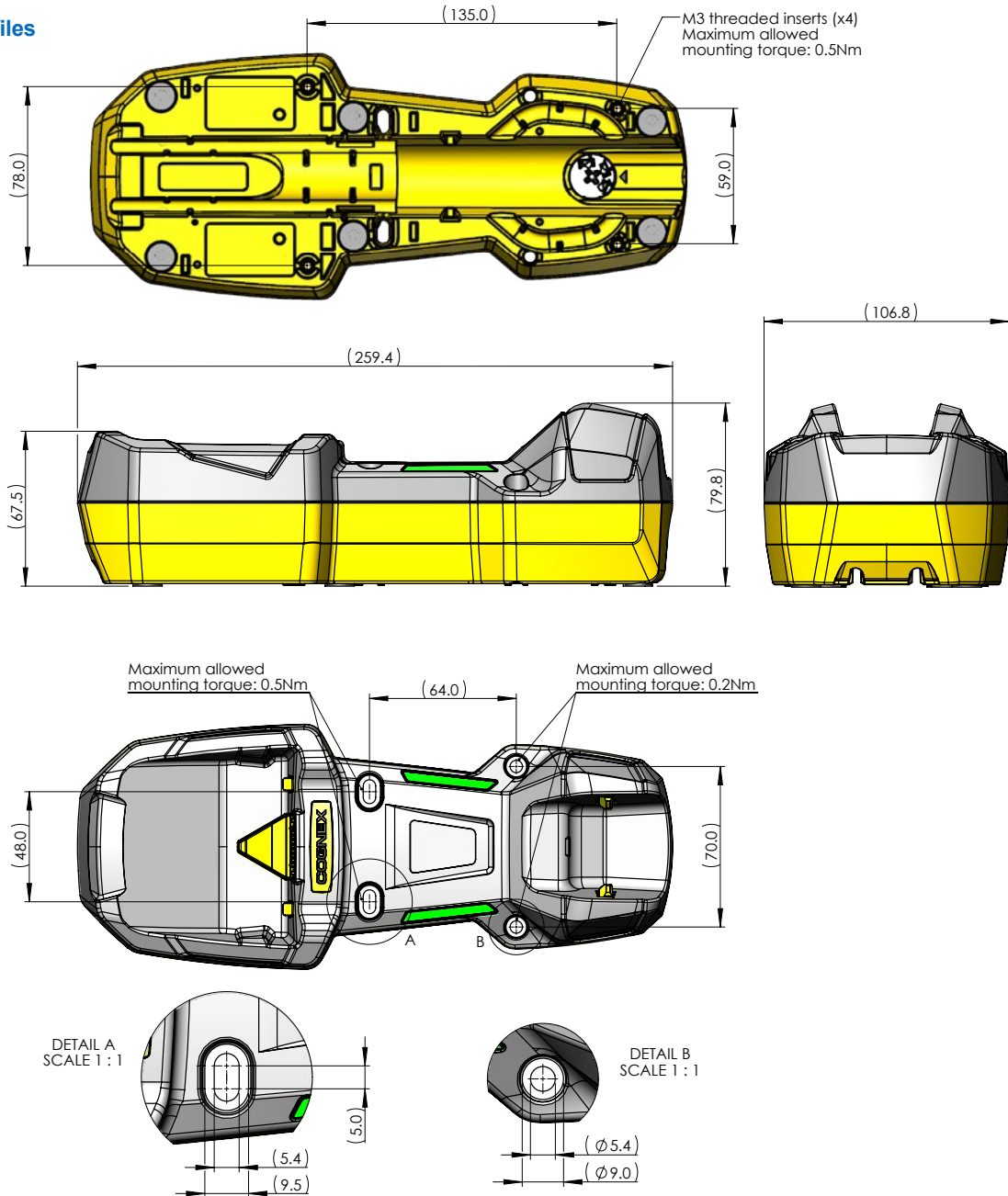
Wall Mount Bracket

[Download CAD files](#)



DataMan 8700 Intelligent Base Station

[Download CAD files](#)



COGNEX

Companies around the world rely on Cognex vision and barcode reading solutions to optimize quality, drive down costs, and control traceability.

Corporate Headquarters One Vision Drive Natick, MA 01760 USA

Regional Sales Offices

Americas

North America +1 844 999 2469
 Brazil +55 11 4210 3919
 Mexico +800 733 4116

Europe

Austria +43 800 28 16 32
 Belgium +32 289 370 75
 Czechia +420 800 023 519
 France +33 1 76 54 93 18
 Germany +49 721 958 8052
 Hungary +36 800 80291

Ireland +353 21 421 7500
 Italy +39 02 3057 8196
 Netherlands +31 207 941 398
 Poland +48 717 121 086
 Romania +40 741 041 272
 Spain +34 93 299 28 14
 Sweden +46 21 14 55 88
 Switzerland +41 445 788 877
 Turkey +90 216 900 1696
 United Kingdom +44 121 29 65 163

Asia-Pacific

Australia +61 2 7202 6910
 China +86 21 5875 1133

India +91 7305 040397
 Indonesia +62 21 3076 1792
 Japan +81 3 5977 5400
 Korea +82 2 539 9047
 Malaysia +6019 916 5532
 New Zealand +64 9 802 0555
 Philippines +63 2 8539 3990
 Singapore +65 3158 3322
 Taiwan +886 02 7703 2848
 Thailand +66 6 3230 9998
 Vietnam +84 98 2405167

© Copyright 2024, Cognex Corporation.
 All information in this document is subject to change without notice. All Rights Reserved.
 Cognex, DataMan, 1DMax, Hotbars, 2DMax, and PowerGrid are registered trademarks of Cognex Corporation. All other trademarks are property of their respective owners.Lit. No. DSDM8700-06-2024

www.cognex.com