

GEK-90842

### I/O Module Specifications and Wiring

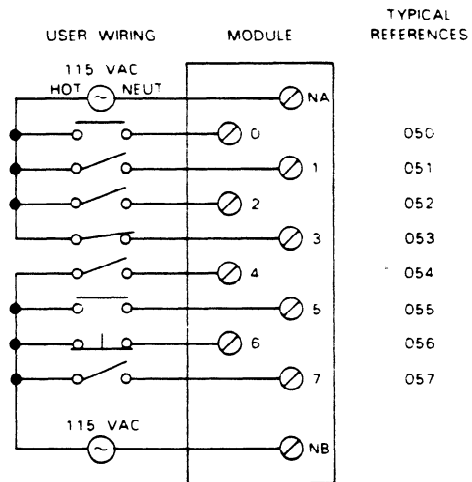
The remainder of this chapter describes the available I/O modules for the Series One and Series One Plus PCs.

#### 115 V ac Input IC610MDL125

This module provides 8 circuits each designed to receive a single discrete (ON/OFF) signal from user supplied devices. Typical input devices include limit switches, pushbuttons, selector switches, and relay contacts. The 8 circuits are divided into two groups of 4 circuits each. Each group can be supplied from a separate power source. Power to operate the field devices must also be supplied by the user. Figure 6-5 provides wiring information for this module. Following are specifications for each of the 8 circuits.

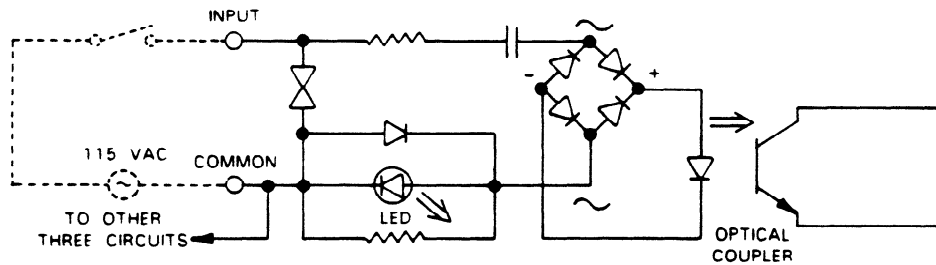
<b>Input Points</b>	8
<b>Operating Voltage</b>	97-132 V ac
<b>AC Frequency</b>	47-63 Hz
<b>Input Current</b>	15 mA @ 60 Hz 11.5 mA @ 50 Hz
<b>Input Impedance</b>	9.5K ohms
<b>ON Level</b>	Above 80 V ac
<b>OFF Level</b>	Below 20 V ac
<b>OFF to ON Response</b>	10-30 ms
<b>ON to OFF Response</b>	10-60 ms
<b>Circuit Indicator</b>	Field Side
<b>Internal Power Consumption</b>	10 mA @ 9 V dc
<b>Units of Load</b>	1 Unit @ 9 V dc
<b>Weight</b>	5 oz (140 g)

pc-s1-83-0037



- TYPICAL REFERENCES
- 050
  - 051
  - 052
  - 053
  - 054
  - 055
  - 056
  - 057

WIRING DIAGRAM



SAMPLE INPUT CIRCUIT

Figure 6-5. Wiring for 115 V ac Inputs