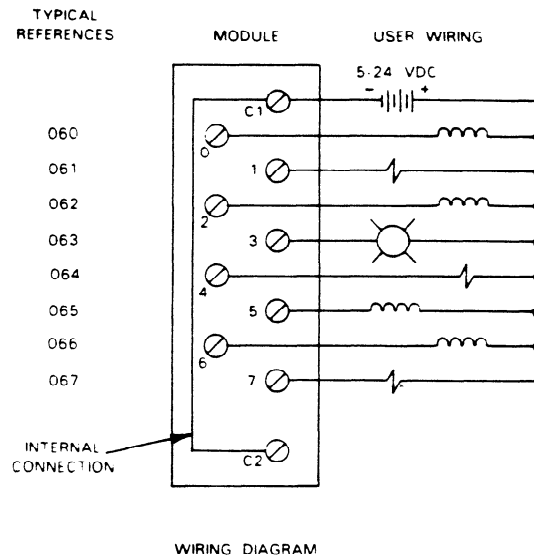


**24 V dc Sink Output (8 Circuits)
IC610MDL151**

This module provides 8 circuits each capable of controlling user supplied discrete (ON/OFF) loads. Typical loads include relay coils, motor starters, solenoid valves, and indicator lights. The 8 circuits are provided referenced to a single DC power source, that must be supplied by the user. Figure 6-21 provides wiring information for this module. Since current flows from the load into the field terminal for each circuit when the output is energized, these circuits are referred to as sink DC outputs. Following are specifications for each of the 8 circuits:

Output Points	8
Operating Voltage	5-24 V dc
Peak Voltage	45 V dc
Maximum Current*	0.5 amp
Max. Leakage Current	0.1 mA @ 40 V dc
ON Voltage Drop	0.8V @ 0.5 amp 0.65V @ 0.1 amp
Smallest Recommended Load	1 mA
Maximum Inrush	3 amp for 20 ms 1 amp for 100 ms
OFF to ON Response	100 msec
ON to OFF Response	100 msec
Circuit Indicator	Logic Side
Fuses (Internal)	(2) 3 amp (one on each group of 4)
Internal Power Consumption	20 mA @ 9 V dc. 3 mA for each ON Circuit @ 24 V dc
Units of Load	2 units @ 9 V dc 3 units @ 24 V dc
Weight	4.2 oz (120 g)

pc-s1-83-0035



* Max. load current is dependent upon ambient temperatures as shown in fig. 6-20.

a40550

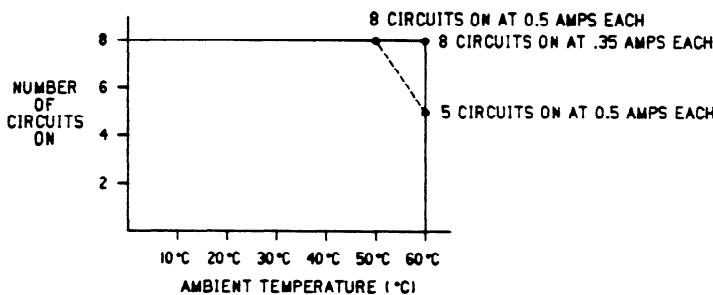


Figure 6-20. I/O Points vs Temperature Chart

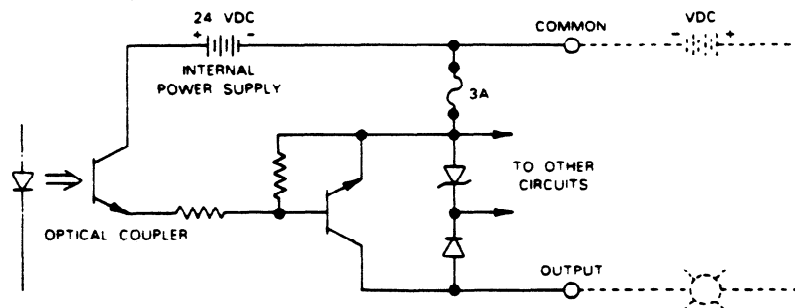


Figure 6-21. Wiring for 24 V dc Sink Outputs