

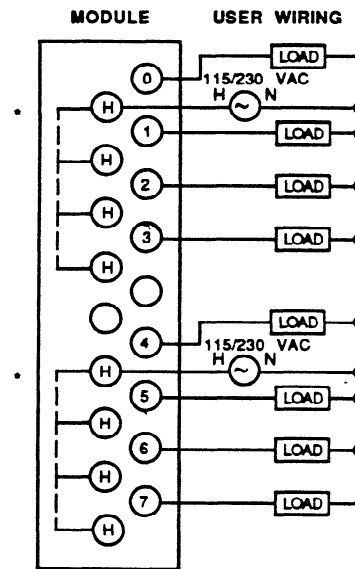
GEK-90842

**115/230 V ac Output Module (8 Circuits)
with Removable Terminal Board
IC610MDL179**

This module provides 8 circuits each capable of controlling user supplied discrete (ON/OFF) loads. Typical loads include relay coils, motor starters (up to No. 3), solenoid valves and indicator lights. The 8 circuits are divided into 2 groups of 4 circuits each. Each group can be supplied from a separate power source. Power to operate the field devices must also be supplied by the user. Figure 6-65 provides wiring information for this module. Following are specifications for each of the 8 circuits:

Output Points	8
Operating Voltage	80-264 V ac
AC Frequency	47-63 Hz
Maximum Current	1 amp
Maximum Leakage Current	1.2 mA @ 230V, 60 Hz
ON Voltage Drop	1.5V @ 1 amp
Smallest Recommended Load	25 mA
Maximum Inrush	10 amps for 17 ms
OFF to ON Response	1 ms
ON to OFF Response	9 ms
Circuit Indicator	Logic Side
Fuses (Internal, Soldered)	(2) 5 amp (one on each group of 4)
Internal Power Consumption	12 mA for each ON Circuit @ 9 V dc
Units of Load	16 @ 9 V dc
Weight	7.4 oz (210 g)

a42492



* HOT CONNECTIONS TIED TOGETHER INTERNALLY AS SHOWN

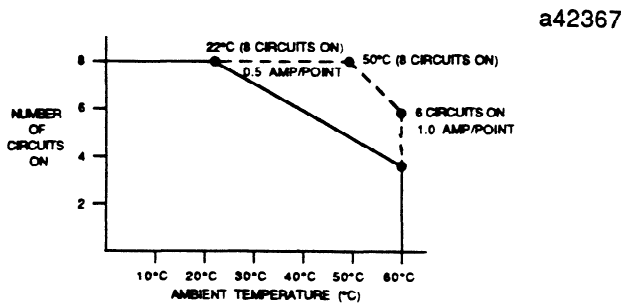


Figure 6-66. I/O Points vs Temperature Chart

a42366

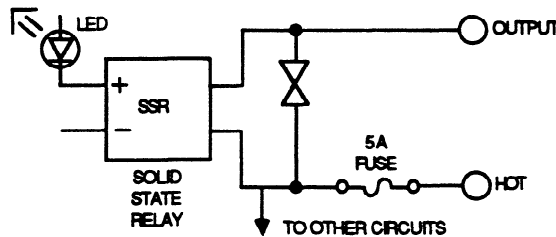


Figure 6-67. Wiring for 115/230 V ac Output with Removable Terminal Board