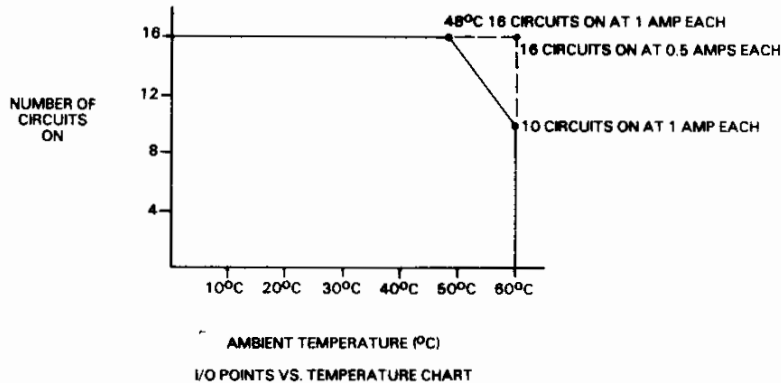


24 VDC OUTPUT (16 CIRCUITS)
IC630MDL352A

This 24 Vdc Output module provides 16 circuits, each capable of controlling user supplied discrete (ON/OFF) loads. Typical loads include motor starters, relay coils, and indicators. A 24 Vdc power supply must be provided by the user. This supply provides power for the loads and also provides the DC power source for the output circuits on the module. The output switching circuitry on the module is arranged in 4 groups with 4 circuits in each group. Each group is protected by a 5 amp fuse. Specifications for this module are listed below.

Output points	16 with LED Indicators
User Power Supply	Voltage 24 Vdc, +10% Ripple <3% rms * Current 100 mA max (8 Outputs On) 50 mA typ. (4 Outputs On)
Fuse Rating	5A (for each 4 circuits)
Leakage Current	<100 μ A
ON state Voltage drop	.3 V maximum
ON delay	100 μ s
OFF delay	
Max. switching capacity	24 Vdc, 1A
Internal power consumption	5 Vdc, 35 mA 12 Vdc, 11 mA/point



*Does not include current required by load device.

Figure 6.10 provides wiring information for this 24 Vdc Output module.

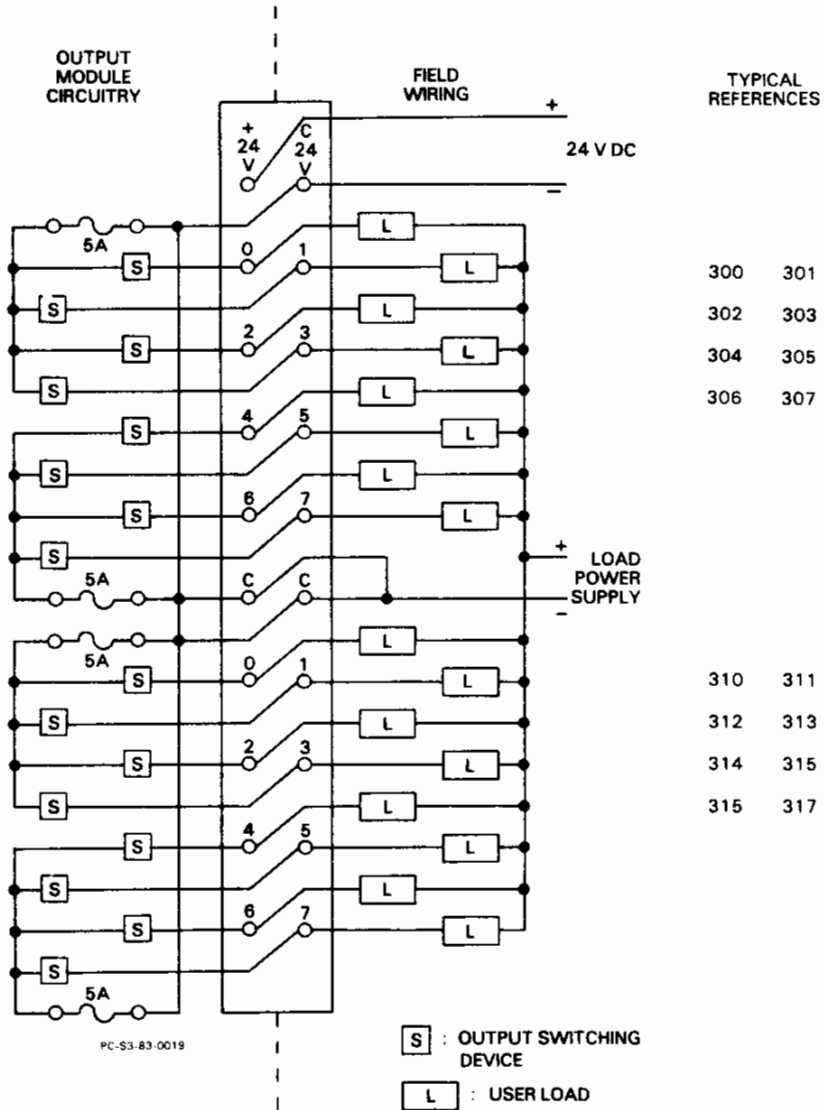


Figure 6.10
24 VDC (16 OUTPUTS), TYPICAL USER CONNECTIONS