

SERIESTHREE

PROGRAMMABLE CONTROLLER

SUPPLEMENT TO THE SERIES THREE MANUAL

GEK-90819

AUGUST 1984

Proprietary information of General Electric Company furnished for customer use only.
No other uses are authorized without the written permission of General Electric Company.

GENERAL  ELECTRIC

Warning, Caution, and Notes As Used In This Publication

WARNING

Warning notices are used in this publication to emphasize that hazardous voltages, currents, temperatures, or other conditions that could cause personal injury exist in this equipment.

CAUTION

Caution notices are used where equipment might be damaged if care is not taken.

In situations where inattention could cause either personal injury or damage to equipment, a Warning notice is used.

NOTE

Notes merely call attention to information that is especially significant in understanding and operating the equipment.

© Copyright General Electric Company 1984

This document is based on information available at the time of its publication. While efforts have been made to render accuracy to its content, the information contained herein does not purport to cover all details or variations in hardware or software, nor to provide for every possible contingency in connection with installation, operation, and maintenance. Features may be described herein which are not present in all hardware and software systems. General Electric assumes no obligation of notice to holders of this document with respect to changes subsequently made.

General Electric makes no representation or warranty, expressed, implied, or statutory with respect to, and assumes no responsibility for the accuracy, completeness, sufficiency or usefulness of the information contained herein. No warranties of merchantability or fitness for purpose shall apply.

TABLE OF CONTENTS

INTRODUCTION

The bulletins listed in this table of contents contain new product information concerning the Series Three Programmable Controller. This supplement is provided for your convenience. This information will be included in the next update of the Series Three Manual, GEK-25376.

| <u>CATALOG NUMBER</u> | <u>MODULE NAME</u> |
|-----------------------|-------------------------------|
| IC630MDL310A | High Speed Counter User Guide |
| IC630MDL311A | 24 VAC/DC Source Input Module |
| IC630MDL316A | Analog Input Module |
| IC630MDL327A | 230 VAC Input Module |
| IC630MDL366A | Analog Output Module |

PRODUCT: Series Three
CATEGORY: Product Information
SUBJECT: High Speed Counter User Guide
AUTHOR: J. C. Hamby

3A-001
April 6, 1984

| TABLE OF CONTENTS | PAGE |
|-------------------------------|-------------|
| A. GENERAL DESCRIPTION | 1 |
| B. INTERFACE TO FIELD DEVICES | 3 |
| C. INTERFACE TO USER LOGIC | 14 |
| D. COUNTER OUTPUT LOGIC | 19 |
| E. EXAMPLE SYSTEM | 21 |

A. GENERAL DESCRIPTION

The High Speed Counter module (HSC) allows the Series Three to monitor and control a variety of Process Variables (Position, Velocity, Flow Rate) that the CPU cannot accommodate due to timing constraints. A direction sensing encoder is used to interface the module's counter with the process variable. Encoders of this type represent clockwise and counterclockwise motion with two separate pulse trains which increment and decrement the current value of the counter.

Three open collector outputs are provided so that the module can react immediately when specific preset values are reached. To allow the operator to view the current value of the counter there is an optional four digit signed BCD output.

The module can be installed in any I/O slot, and uses 32 I/O references to interface with user logic.

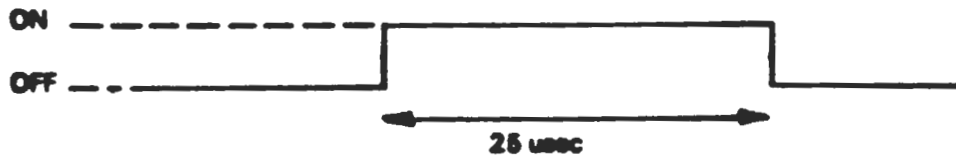
SPECIFICATIONS

● EXTERNAL POWER REQUIREMENTS

| | | |
|---------------------------------|---------|-----------------------|
| BCD Output: | Voltage | 5-12 VDC +10% -5% |
| | Current | 5V, 8ma 12V, 16 ma |
| Three Discrete Counter Outputs: | Voltage | 24 VDC ± 10% |
| Encoder: | Voltage | 12 VDC ± 10% |

● COUNTER CHARACTERISTICS

| | |
|----------------------|---|
| Three Inputs: | 1. Incremental Pulse 2. Decremental Pulse 3. Reset/Marker Pulse |
| OFF State: | < 1 VDC, > 15 ma |
| ON State: | > 12 VDC ± 10% |
| Pulse Rate: | ≤ 10 KHz |
| Range: | -9999 to +9999 Binary Coded Decimal (BCD) |
| Minimum Pulse Width: | 25 microseconds |



● COUNTER OUTPUT CHARACTERISTICS

| | |
|-----------------|-----------------------------------|
| Open Collector: | 24 VDC ± 10% 300 ma Max/Output |
| Quantity: | 3 |

- CURRENT COUNT OUTPUT

| | |
|------------------------------|----------------------------------|
| Format: | Four Digit Signed BCD |
| Current Sink | 8 ma at 5 VDC 16 ma at 12 VDC |
| External Power Requirements: | 5-12 VDC |

- INTERFACE TO USER LOGIC

| | |
|-----------|--|
| Quantity: | 32 I/O References |
| Inputs: | Current Value of Counter < Preset Value = Preset Value > Preset Value Carry/Borrow Current Count Direction Current Count Sign Current Count Latch |
| Outputs: | Current Count Preset Output Mode Select Output State |

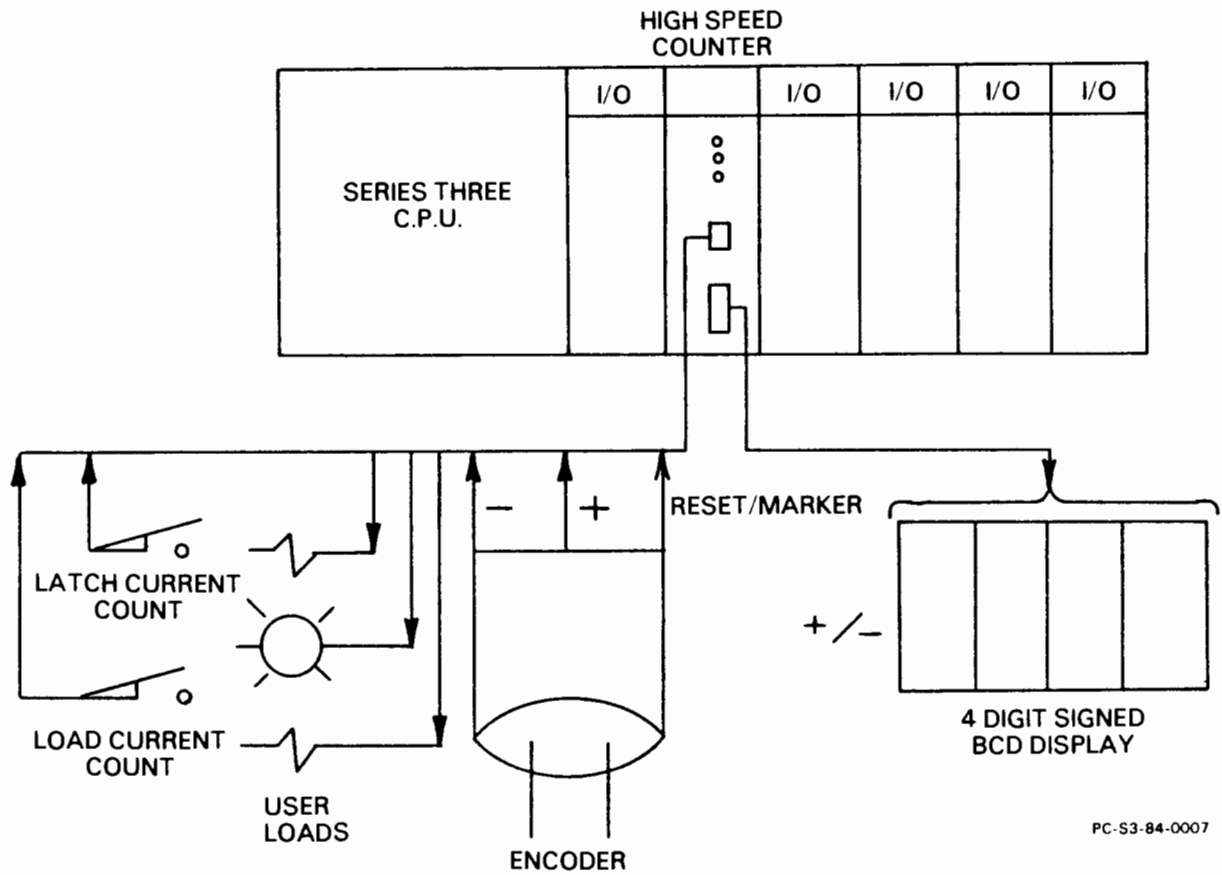
- ENVIRONMENTAL

| | |
|------------------------|------------------------|
| Operating Temperature: | 0 - 60°C |
| Humidity: | 5 - 95% Non Condensing |

B. INTERFACE TO FIELD DEVICES

A 16 PIN (J1) and 24 PIN (J2) connector (Refer to Figures 1, 2, and 3) located on the face of the HSC serve as the interface between the module and its associated field devices which include:

1. Bidirectional incremental encoder with marker/reset pulse
2. Four digit signed binary coded decimal display
3. Three field devices under control of HSC's outputs
4. Current count latch switch
5. Load current count switch



PC-53-84-0007

Figure 1
 HSC AND ITS ASSOCIATED FIELD DEVICES

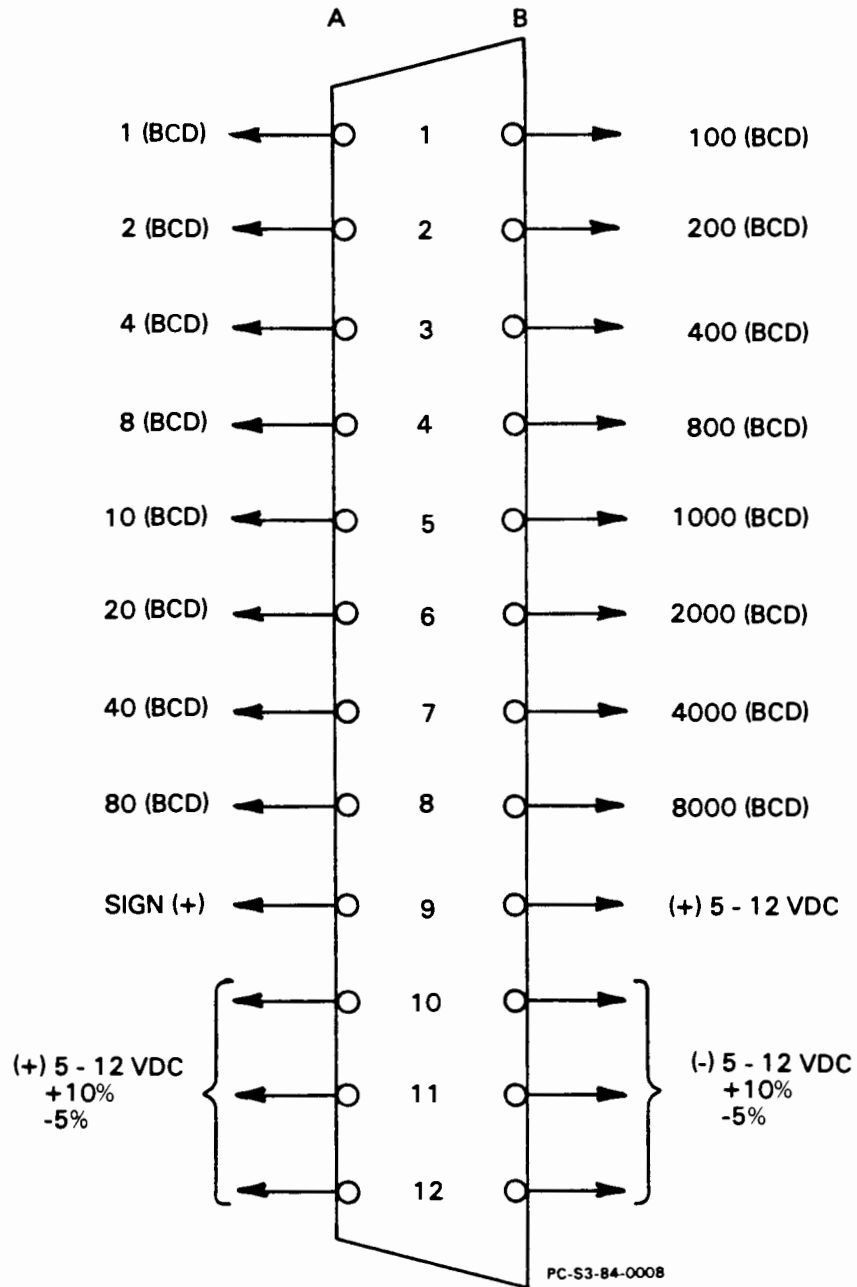


Figure 2
 PIN DEFINITION J2

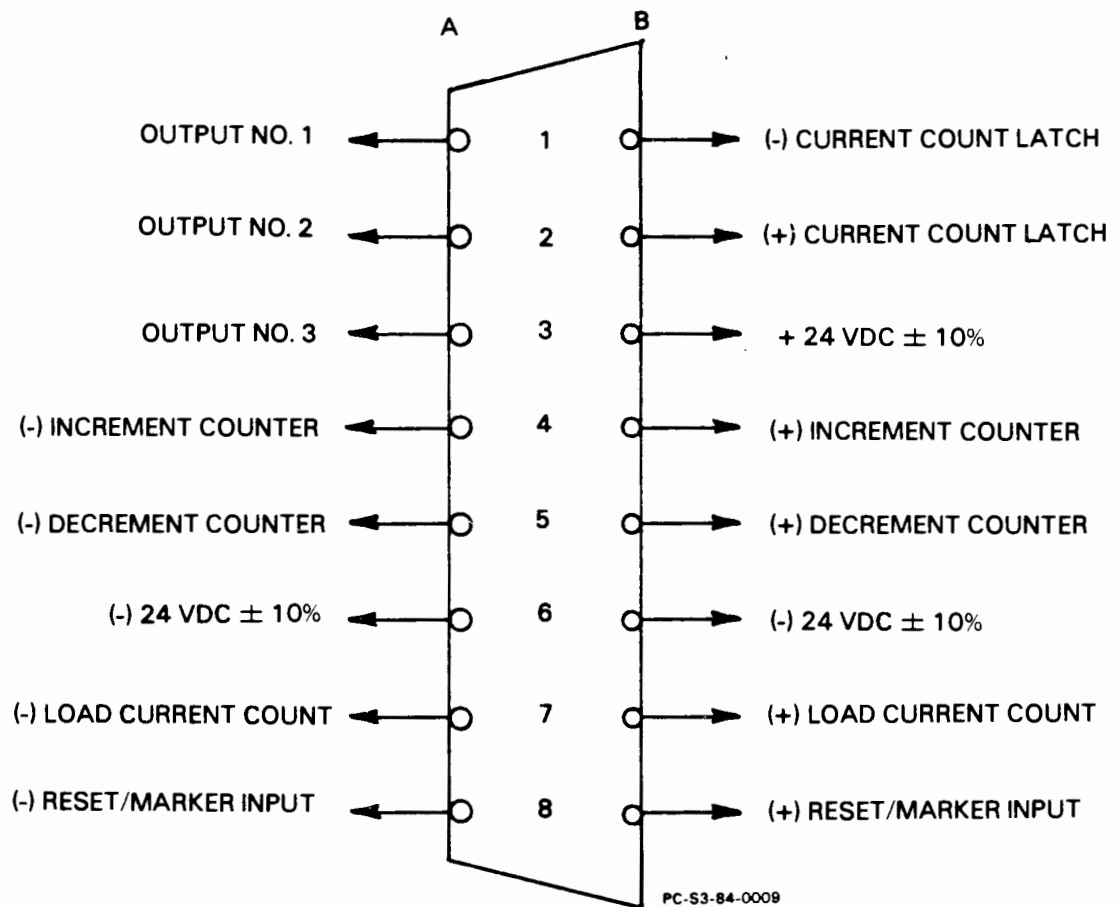


Figure 3
PIN DEFINITION J1

The wiring configuration of each field device is addressed separately for clarity.

INCREMENTAL ENCODER

The Incremental Encoder utilizes three signals to control the current value of the counter. Two separate pulse trains which represent clockwise and counterclockwise movement increment and decrement the counter, while the reset/marker pulse sets it to zero. In many applications the reset/marker pulse will not come from the encoder, but from some sort of home switch. Shown in Figures 4, 5, and 6 are recommended encoder wiring configurations.

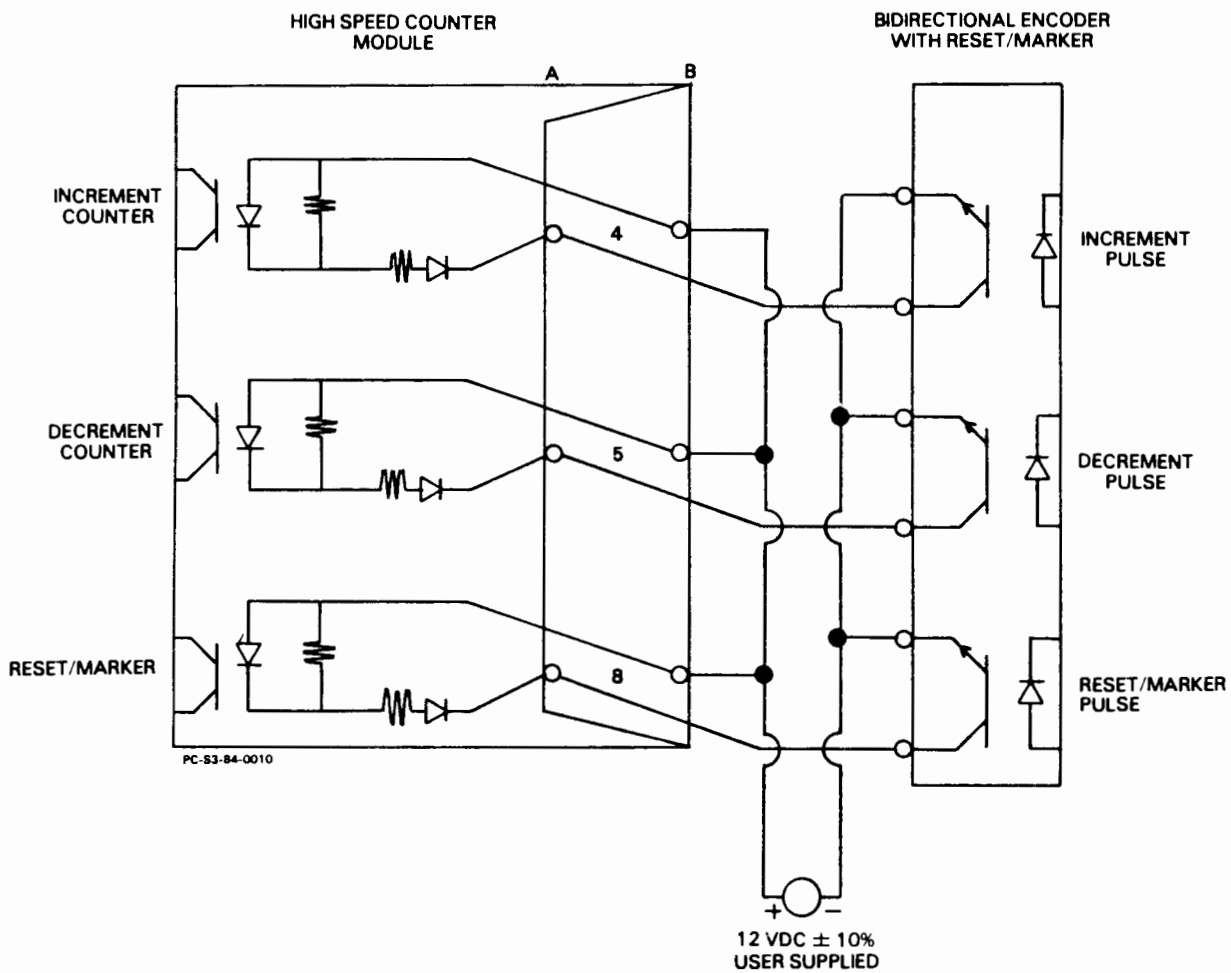


Figure 4
BIDIRECTIONAL ENCODER WITH RESET/MARKER PULSE

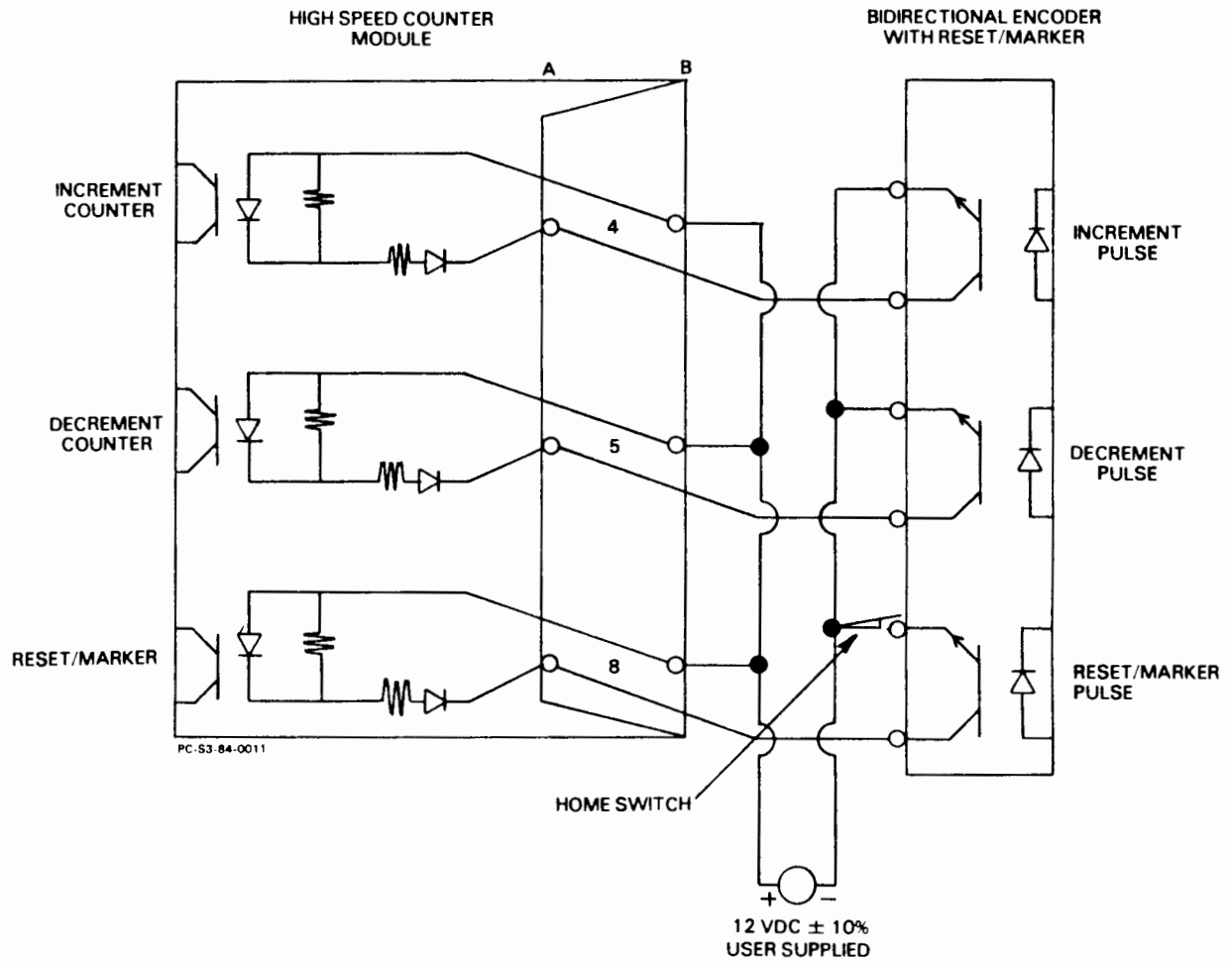
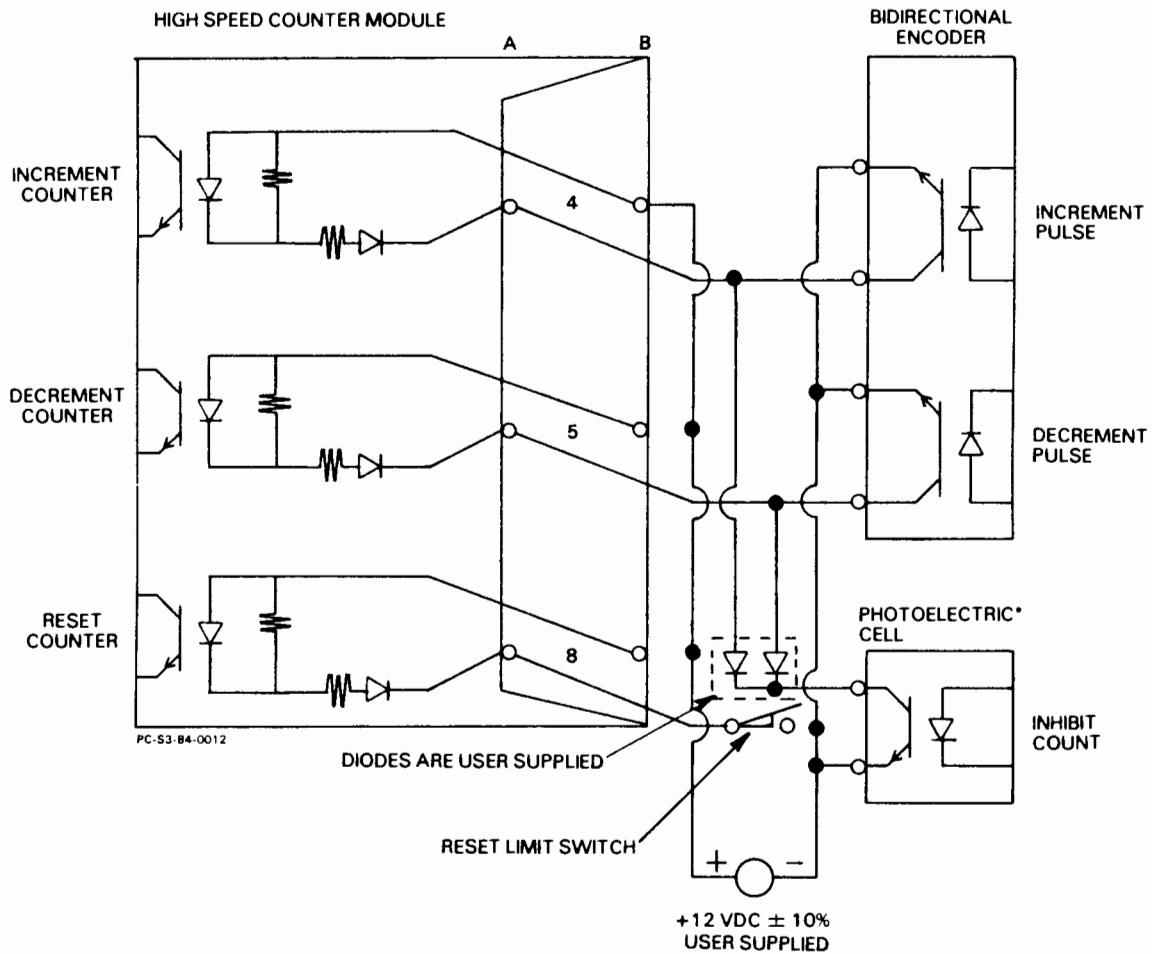


Figure 5
BIDIRECTIONAL ENCODER WITH HOME SWITCH RESET



* SENSE OF PHOTOELECTRIC CELL
 ON: COUNT INHIBITED
 OFF: COUNT NOT INHIBITED

Figure 6
 BIDIRECTIONAL ENCODER WITH LIMIT SWITCH RESETTING
 COUNTER AND PHOTOELECTRIC CELL INHIBITING COUNT

BCD OUTPUT

The current value of the counter can be displayed via the module's four digit signed BCD output (Refer to Figure 7).

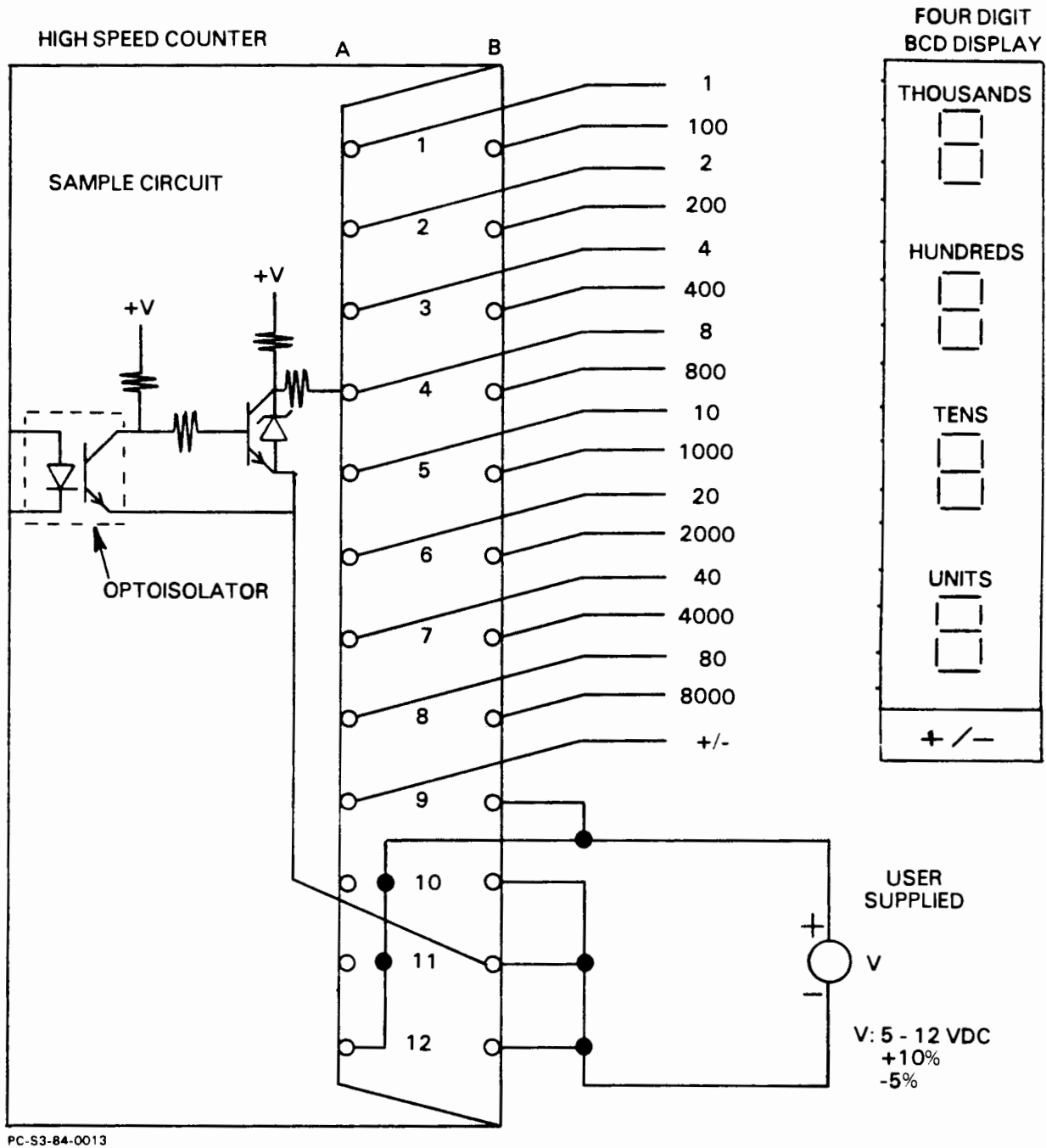


Figure 7
 BCD OUTPUT WIRING DIAGRAM

SENSE OF BCD OUTPUT:

| <u>OUTPUT</u> | <u>OPTOISOLATOR</u> | <u>OUTPUT VOLTAGE</u> |
|---------------|---------------------|-----------------------|
| 0 | OFF | 0V DC |
| 1 | ON | + V (12 V/5 VDC) |

SENSE OF CURRENT COUNT SIGN (+/-)

| <u>SIGN</u> | <u>OPTOISOLATOR</u> | <u>OUTPUT VOLTAGE</u> |
|-------------|---------------------|-----------------------|
| + | OFF | ≈ 0V DC |
| - | ON | +V (12 V/5 VDC) |

USER LOADS

To provide an immediate response when specific counter presets are reached, three open collector outputs are provided. The ON/OFF status of these outputs is determined by the comparison of the counters preset and current value. The wiring configuration of these outputs is shown in Figure 8.

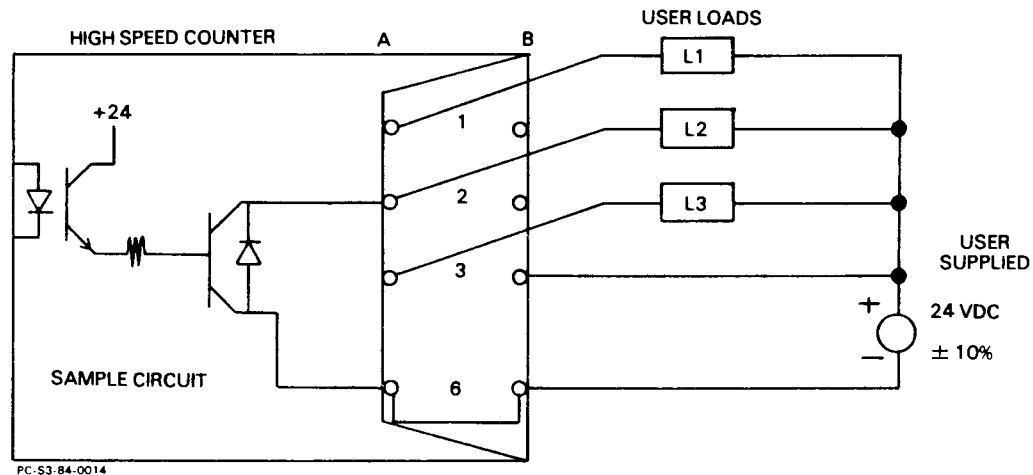


Figure 8
 USER LOAD WIRING DIAGRAM

CURRENT COUNT LATCH

By enabling the current count latch the current value of the HSC is "frozen" (latched) as far as the BCD output and User Logic are concerned. However, the HSC doesn't stop counting pulses, and when the latch is released the BCD output and user logic are updated with the current value of the counter. The physical wiring of this latch is shown in Figure 9.

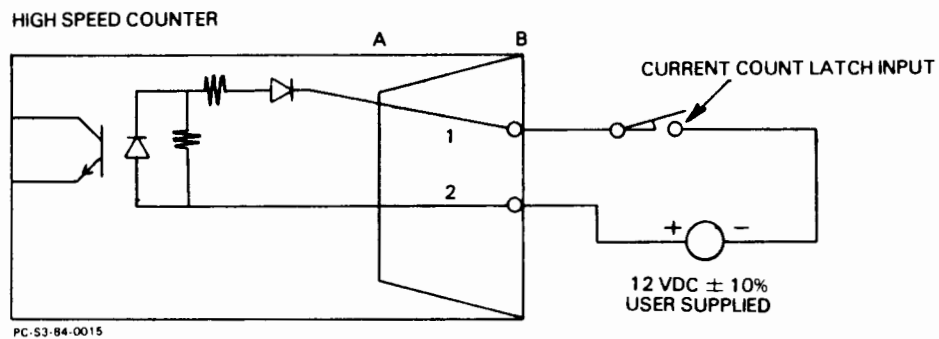


Figure 9
 CURRENT COUNT LATCH WIRING DIAGRAM

CURRENT COUNT LOAD

The Current Count Load Input, when enabled will write the contents of HSC buffer into the current count (accumulate) register of the HSC (Refer to Interface to User Logic Section, Output References). This REAL WORLD Input is equivalent to output references 23 in the User Logic Interface. The wiring configuration of this input is shown in Figure 10.

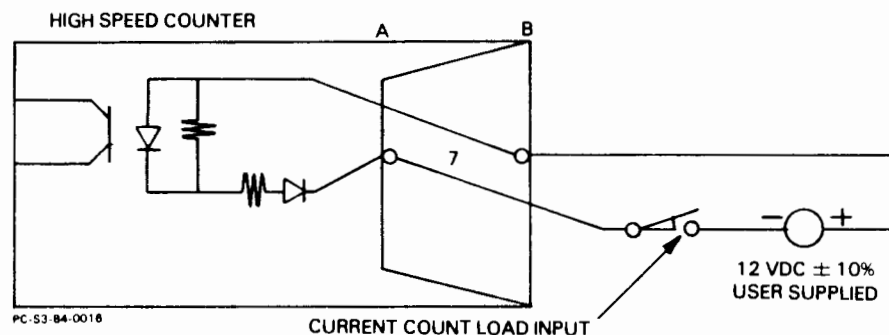


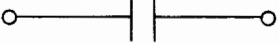
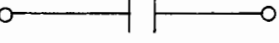
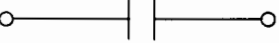
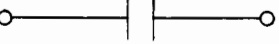
Figure 10
 LOAD CURRENT COUNT WIRING DIAGRAM


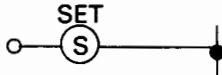


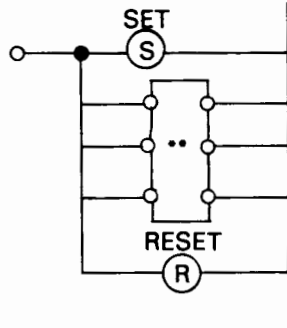
C. INTERFACE TO USER LOGIC

The HSC uses standard discrete ladder logic and data move instructions to interface with user logic. Information flows to and from the module through 32 I/O references. The actual I/O references used in an application program depend upon the location of the module in the I/O system. A number of these references act as both inputs and outputs depending on the function being implemented. The following chart defines the instructions associated with each I/O reference, and assumes the HSC is located directly adjacent to the Series Three CPU.

| INPUT REFERENCE | USER LOGIC SYMBOL | INPUT FUNCTION DEFINITION |
|-----------------|-------------------|---|
| 0-17 | | <p><u>[CURRENT COUNT] → [CPU ACCUMULATOR]</u></p> <p>WRITES CURRENT VALUE OF COUNTER TO ACCUMULATE REGISTER (4 DIGIT BCD)</p> |
| 20* | | <p><u>> PRESET</u></p> <p>ENABLED WHEN CURRENT VALUE OF COUNTER IS GREATER THAN ITS PRESET VALUE</p> |
| 21* | | <p><u>< PRESET</u></p> <p>ENABLED WHEN CURRENT VALUE OF COUNTER IS LESS THAN ITS PRESET VALUE</p> |
| 22* | | <p><u>= PRESET</u></p> <p>ENABLED WHEN CURRENT VALUE OF COUNTER IS EQUAL TO ITS PRESET VALUE</p> |

*The status of Inputs 20, 21, and 22 are given to the User Logic once per scan. Therefore, if a particular condition is true for less than the scan time of the machine it's associated Input Reference wouldn't necessarily get enabled.

| INPUT REFERENCE | USER LOGIC SYMBOL | INPUT FUNCTION DEFINITION |
|--|---|--|
| 23 |  | <p>CARRY/BORROW</p> <p>DEFINITION BELOW</p> |
| <p>CARRY/BORROW DEFINITION</p> | | |
| <p>Enabled when the current value of the counter undergoes one of the five sequences described below:</p> | | |
| <ol style="list-style-type: none"> 1. +9998 → +9999 → 0000 (Increment Rollover) 2. +0001 → 0000 → -0001 (Positive to Negative) 3. -0001 → 0000 → +0001 (Negative to Positive) 4. -9998 → -9999 → 0000 (Decrement Rollover) 5. (Current Count) → 0000 Via External Reset | | |
| 24 |  | <p>CURRENT COUNT DIRECTION</p> <p>ENABLED WHEN CURRENT VALUE OF COUNTER IS MOVING IN THE POSITIVE DIRECTION</p> |
| 25 |  | <p>CURRENT COUNT SIGN</p> <p>ENABLED WHEN THE CURRENT VALUE OF THE COUNTER IS NEGATIVE, CURRENT COUNT POSITIVE WHEN DISABLED</p> |
| 27 |  | <p>CURRENT COUNT LATCH</p> <p>ENABLED WHEN EXTERNAL CURRENT COUNT LATCH SWITCH IS ENABLED</p> |

| OUTPUT REFERENCE | USER LOGIC SYMBOL | OUTPUT FUNCTION DEFINITION |
|------------------|---|--|
| 0-17 |  | [CPU ACCUMULATOR] → [HSC BUFFER] WRITES CPU ACCUMULATOR CONTENTS TO HSC BUFFER |
| 23 |  | [BUFFER] → <u>CURRENT COUNT REGISTER</u> WRITES HSC BUFFER TO THE CURRENT COUNT REGISTER OF HSC* |
| 24 |  | [BUFFER] → <u>PRESET REGISTER</u> WRITES HSC BUFFER TO THE PRESET REGISTER OF HSC |
| 25 |  | [PRESET] ^{INITIAL} > = < [CURRENT COUNT] INITIALLY COMPARES PRESET TO CURRENT COUNT VALUE |
| 30 |  | <u>WRITE MODE</u> ENABLES DATA IN BOX TO BE WRITTEN TO HSC, THE SET AND RESET INSTRUCTIONS INITIATE AND TERMINATE THIS TRANSFER OF DATA |

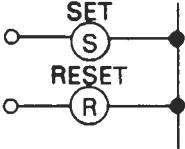
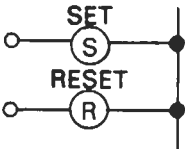
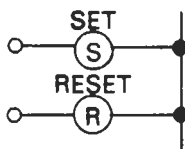
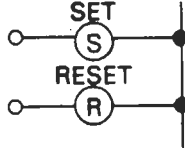
* CAN ALSO BE DONE WITH EXTERNAL CURRENT COUNT LOAD INPUT

** DATA SENT TO HSC

OUTPUT REFERENCE USER LOGIC SYMBOL OUTPUT FUNCTION DEFINITION

| | | |
|----|--|--|
| 31 | | <p><u>CURRENT COUNT/PRESET SIGN</u></p> <p>IF REFERENCE NO. 31 IS SET WHEN A VALUE IS SENT FROM THE CPU ACCUMULATOR TO THE HSC BUFFER, THE VALUE IS CONSIDERED NEGATIVE.</p> |
| 32 | | <p><u>OUTPUT NO. 1 STATE</u></p> <p>IN MANUAL MODE CONTROLS THE STATUS OF OUTPUT NO. 1 AS A NORMAL DISCRETE OUTPUT</p> <p>IN COUNTER MODE ENABLES HSC OUTPUT NO. 1 ASSUMING THE APPROPRIATE RELATIONSHIP BETWEEN THE PRESET AND CURRENT COUNT (SEE FIGURES 12, 13, and 14)</p> |
| 33 | | <p><u>OUTPUT NO. 1 MODE SELECT</u></p> <p>ENABLED: MANUAL MODE</p> <p>DISABLED: COUNTER MODE</p> |

OUTPUT REFERENCE USER LOGIC SYMBOL OUTPUT FUNCTION DEFINITION

| | | |
|----|---|--|
| 34 |  | <p>OUTPUT NO. 2 STATE</p> <p>IN MANUAL MODE CONTROLS THE STATUS OF OUTPUT NO. 2 AS A NORMAL DISCRETE OUTPUT.</p> <p>IN COUNTER MODE ENABLES HSC OUTPUT NO. 2 ASSUMING THE APPROPRIATE RELATIONSHIP BETWEEN THE PRESET AND CURRENT COUNT (SEE FIGURES 12, 13, and 14)</p> |
| 35 |  | <p>OUTPUT NO. 2 MODE SELECT</p> <p>ENABLED: MANUAL MODE</p> <p>DISABLED: COUNTER MODE</p> |
| 36 |  | <p>OUTPUT NO. 3 STATE</p> <p>IN MANUAL MODE CONTROLS THE STATUS OF OUTPUT NO. 3 AS A NORMAL DISCRETE OUTPUT.</p> <p>IN COUNTER MODE ENABLES OUTPUT NO. 3 ASSUMING THE APPROPRIATE RELATIONSHIP BETWEEN THE PRESET AND CURRENT COUNT (SEE FIGURES 12, 13, and 14)</p> |
| 37 |  | <p>OUTPUT NO. 3 MODE SELECT</p> <p>ENABLED: MANUAL MODE</p> <p>DISABLED: COUNTER MODE</p> |

D. OUTPUT LOGIC

Each of the three HSC outputs operate in either the manual or counter mode. The operating mode of each output is determined by the state of its mode select function (Refer to Interface to User Logic Section).

If Mode Select Disabled (0): Counter Mode

If Mode Select Enabled (1): Manual Mode

The logic of each mode will be covered separately.

MANUAL MODE

The state of an output in the manual mode corresponds to the status of its associated Output State Function (Refer to Figure 11).

| <u>OUTPUT MODE SELECT</u> | <u>OUTPUT STATE</u> | <u>OUTPUT</u> |
|---------------------------|---------------------|---------------|
| 1 | 0 | 0 |
| 1 | 1 | 1 |

Figure 11
OUTPUT LOGIC IN MANUAL MODE

COUNTER MODE

In the counter mode of operation, an output can react immediately when the current count reaches specific preset values. In this mode each output is controlled by a combination of two factors.

1. Status of Output State Function
2. Relationship between the current count and the preset value*

*NOTE: Upon power up or the transition from program to run mode the HSC assumes a preset of zero

COUNTER MODE (Continued)

To have an output enabled in the counter mode of operation two conditions must be met:

1. Associated output state function enabled
2. Proper relationship between the current count and preset value

If the preset is positive (+0001 to +9999), the output is enabled when the current count is less than the preset value (Refer to Figure 12).



Figure 12
OUTPUT LOGIC FOR POSITIVE PRESET

If the preset is zero (0000), the output is enabled when the current count is negative (Refer to Figure 13). Note that zero is the default preset.

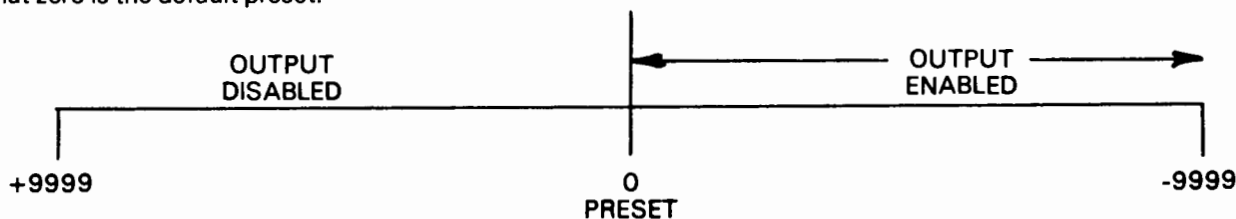


Figure 13
OUTPUT LOGIC FOR PRESET OF ZERO

If the preset is negative, (-0001 to -9999) the output is enabled if the current count is greater than the preset value (Refer to Figure 14).

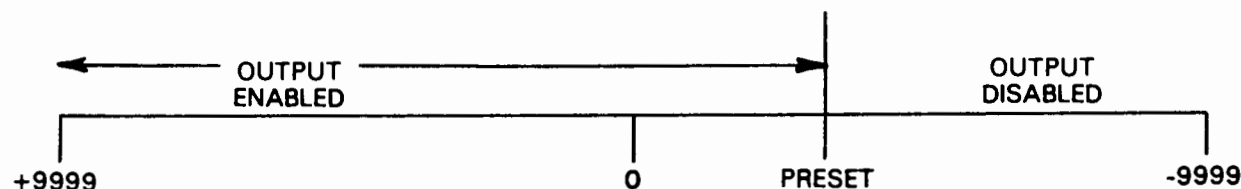


Figure 14
OUTPUT LOGIC FOR NEGATIVE PRESET

E. EXAMPLE SYSTEM

To further explain how the Input/Output functions are used to monitor and control the HSC consider the following example system (Refer to Figure 15). From this system an input function and output function chart are developed in Figure 16 and Figure 17. These charts give numerous examples of how to implement the User Logic/HSC Interface.

| | | | | |
|---------------------------|--------------------------|---------------|---------------|-----------------|
| SERIES THREE C.P.U. | HIGH SPEED COUNTER | INPUT | OUTPUT | INPUT |
| | 0 ↓ 37 | 40 ↓ 57 | 60 ↓ 77 | 100 ↓ 117 |

Figure 15
 EXAMPLE SYSTEM

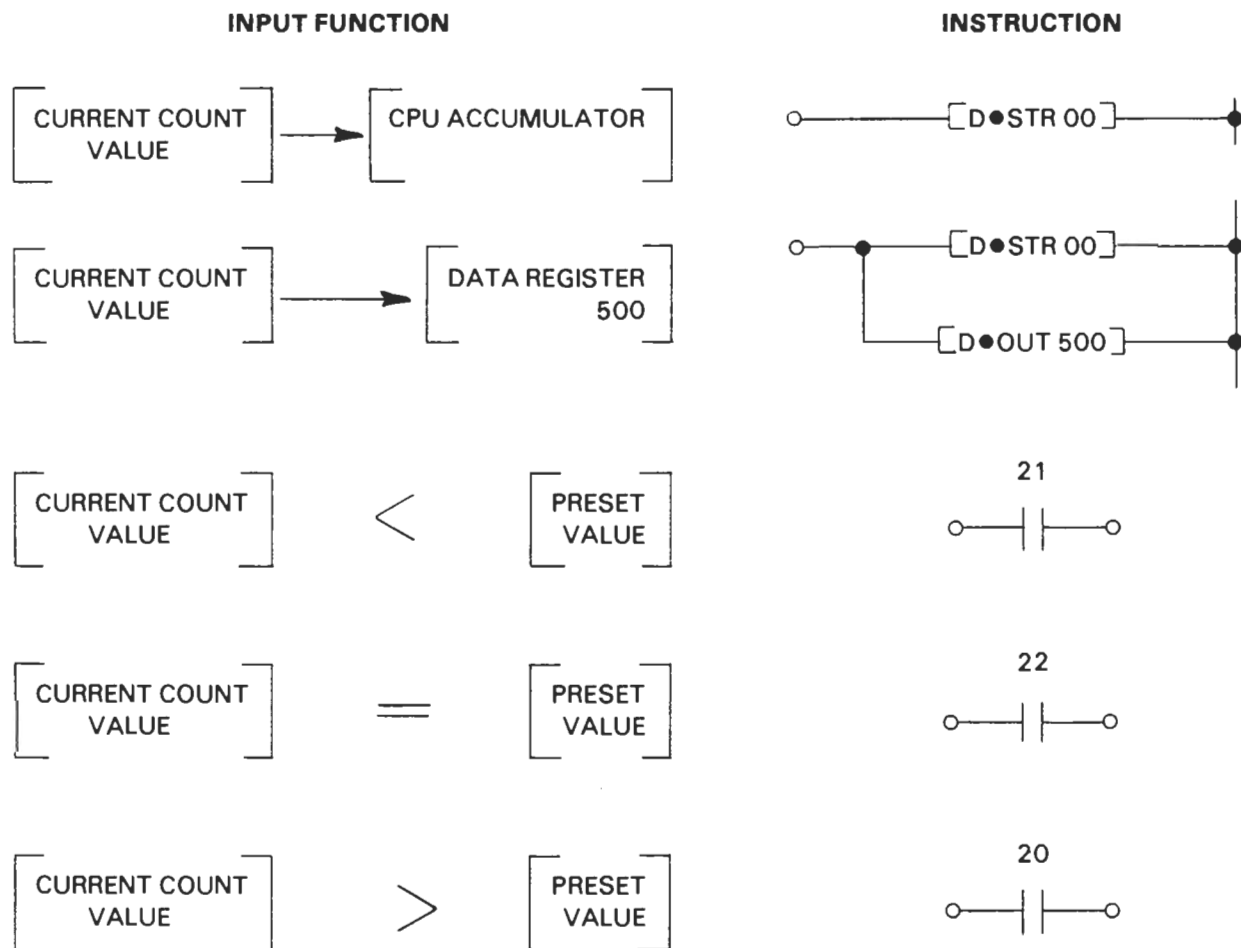


Figure 16
 INPUT FUNCTION CHART

OUTPUT FUNCTION

INSTRUCTION

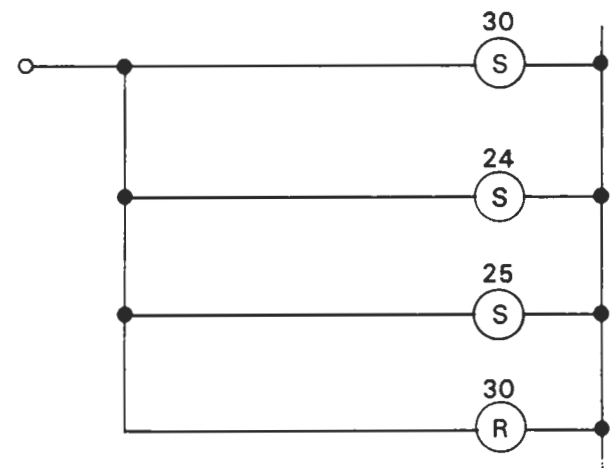
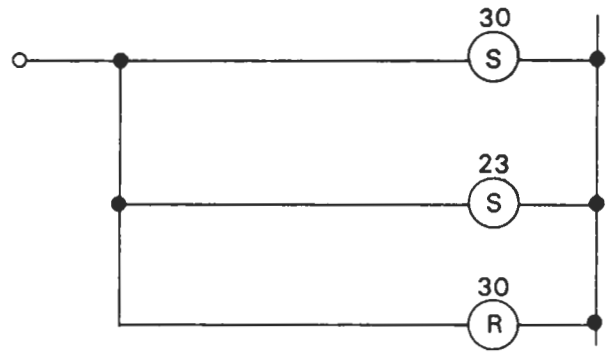
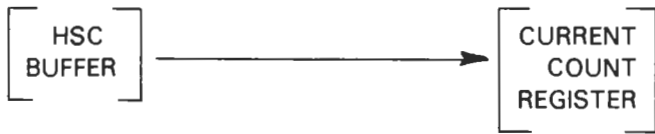
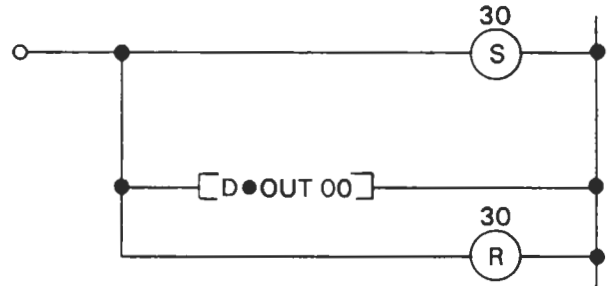
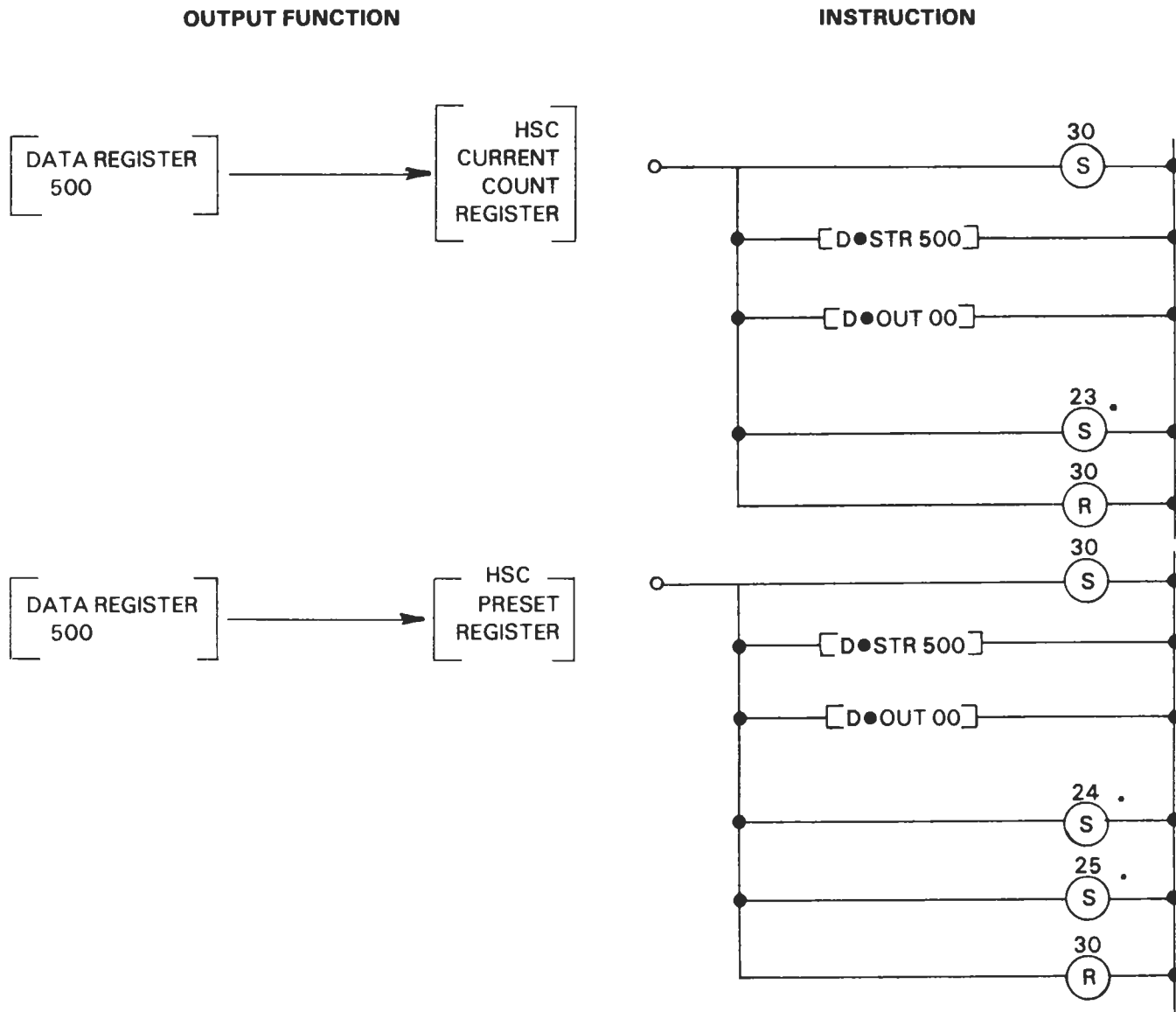


Figure 17
 OUTPUT FUNCTION CHART



* COILS ARE RESET AUTOMATICALLY AT END OF SCAN

Figure 17 (continued)
 OUTPUT FUNCTION CHART

PRODUCT: Series Three
CATEGORY: Product Information
SUBJECT: 24 VAC/DC Source Input Module, IC630MDL311A
AUTHOR: H. A. Konat

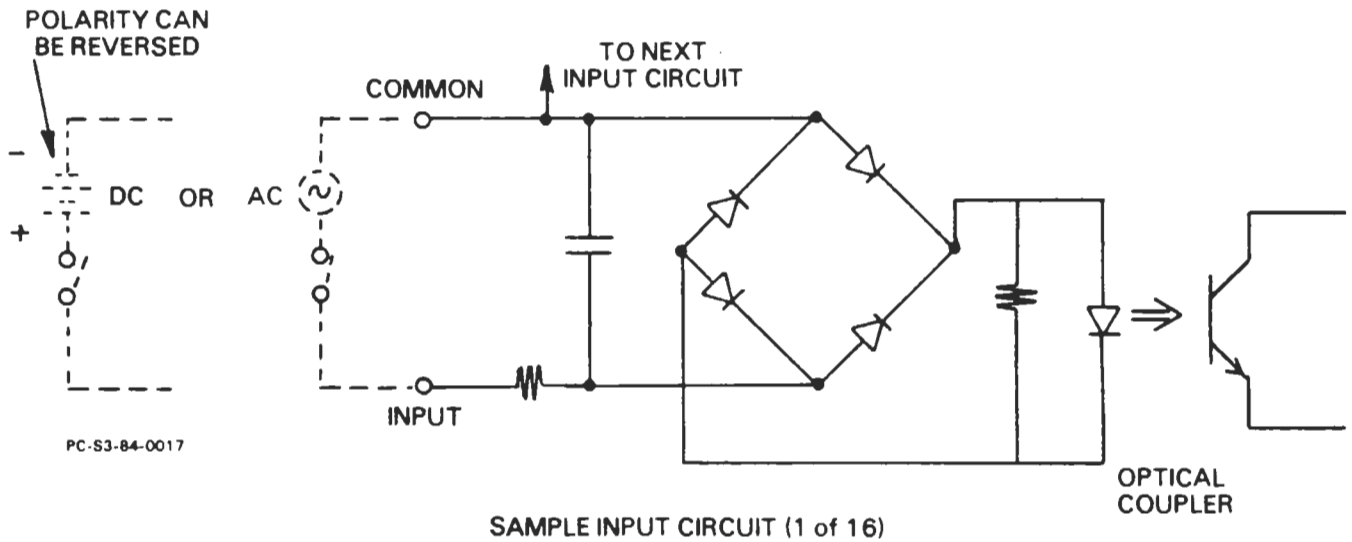
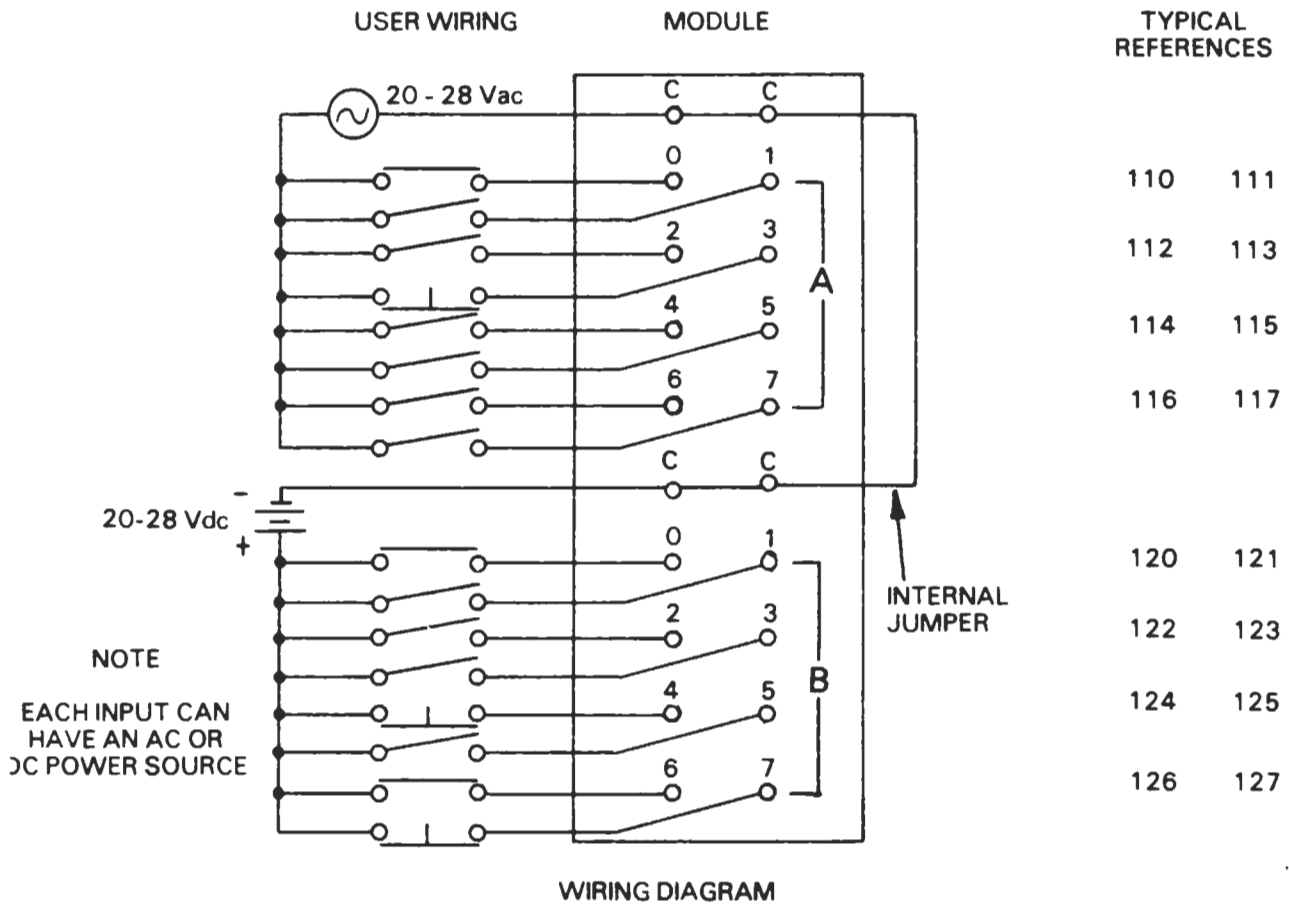
4A-003
April 13, 1984

This bulletin describes the 24 VAC/DC Source Input module, which is now available for shipment. This information will be included in a future revision of the Series Three Manual, GEK-25376.

This module provides 16 input circuits, each designed to receive a single discrete (ON/OFF) signal from user supplied devices. These input devices typically include items such as light switches, pushbuttons, selector switches, and relay contacts. The input circuits on the module can interface to either 24 Vac signals or 24 Vdc source-type signals, thereby allowing the module to interface to input devices that provide their own voltage. The ON/OFF condition of each circuit is indicated by an LED located in the logic side of each circuit.

User devices are connected to screw terminals on the faceplate of the module. The 16 circuits are divided into two groups of eight with the commons tied together internally. Each input can have an AC or DC input. Each screw terminal will accept one No. 12 AWG wire or two No. 14 AWG wires. Following are specifications for each of the 16 circuits.

| | <u>AC Input</u> | <u>DC Input</u> |
|----------------------------|---|--------------------|
| Input Voltage | 20 to 28 Vac, 50-60 Hz | 20-28 Vdc (Source) |
| Input Current | 13 mA (maximum) | 13 mA (maximum) |
| ON Level | 20 to 28 Vac | 20 to 28 Vdc |
| OFF Level | 0 to 6 Vac | 0 to 6 Vdc |
| OFF to ON Response | 5 to 50 msec | 5 to 50 msec |
| ON to OFF Response | 5 to 60 msec | 5 to 60 msec |
| Internal Power Consumption | 5 Vdc, 90 mA maximum, (supplied by Series Three Power Supply) | |



PRODUCT: Series Three
CATEGORY: Product Information
SUBJECT: Analog Output Module, IC630MDL366A
AUTHOR: H. A. Konat

4A-008
April 27, 1984

This bulletin describes the Analog Output module, which is now available for shipment. This information will be included in a future revision of the Series Three Manual, GEK-25376.

The Analog Output module provides two independent output channels, each capable of converting 12 bits of binary data to an analog output. Each channel can provide either 1 to 5V or 4 to 20 mA outputs as required by the application. The module provides 12-bit resolution. Twelve LEDs on the faceplate provide a 12 bit binary display which indicates the resolution as a percent of full scale. A toggle switch on the front panel selects the channel (1 or 2) to be monitored.

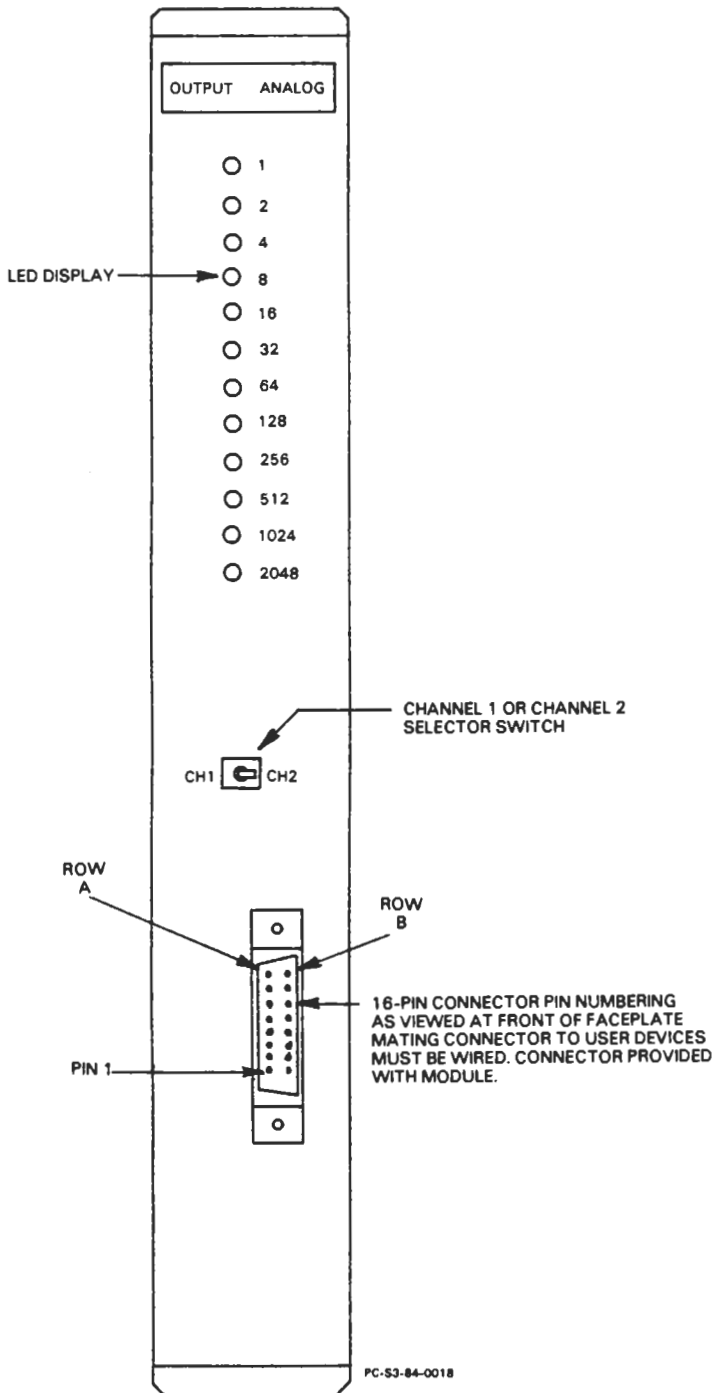
The module is capable of driving either single ended or differential voltage devices or current devices. The user devices to be driven are optically isolated from the base power supply by opto-isolators on the module. The opto-isolators provide 1000 Vac of isolation. An Analog Output module requires one I/O slot and consumes 32 consecutive I/O points beginning with the first I/O point of the selected I/O slot.

User field wiring, from devices to be driven is made to a 16-pin connector which mates with a connector mounted on the module's faceplate. One connector is provided with each module. Specifications for this module are provided in the following table.

Table 1
ANALOG OUTPUT SPECIFICATIONS
IC630MDL366A

| | |
|--------------------------------|--|
| Output Ranges: | +1 to +5V and 4 to 20 mA, simultaneously |
| Channels: | 2 |
| Resolution: | 12 Bit Binary (1 part in 4096) |
| Field Wiring Termination: | One 16-pin Connector |
| Visual Display: | 12 LEDs (12 bit Binary Display Indicating Output Voltage or Current) Can be used to estimate percent of full scale. |
| I/O Points Consumed: | 32 Consecutive I/O Points (12 modules maximum) |
| Operating Temperature: | 0° to 60°C |
| Storage Temperature: | -40° to 100°C |
| Humidity: | 5% to 95% (non-condensing) |
| Devices Driven: | Differential or Single Ended Voltage Types or Current Types |
| External Power Source: | ± 15V maximum, 100 mA (supplied by user) |
| Conversion Time: | 3 μ sec, Maximum |
| Accuracy: | 0.4% |
| Accuracy vs. Temperature: | 50 ppm (parts per million) per 1°C |
| Output Impedance: | 0.5 Ω , Maximum For Voltage Output |
| Output Current, Maximum: | 15 mA, Voltage Output |
| Output Resistor Value Maximum: | 400 Ω , Current Output |
| 5 Vdc Power Consumption: | 330 mA Maximum (supplied by Series Three power supply) |

Figure 1 is an illustration of the faceplate for the Analog Output module.



The Analog Output module is capable of driving devices requiring either differential or single ended input voltage or current inputs. The following group of illustrations are typical electrical connections for each type of device. For each figure a block diagram of the module is illustrated and the connections required for interfacing the Analog outputs to each type of device.

NOTES

1. Maximum loading is ± 15 mA for full voltage output (does not apply to 4 to 20 mA output).
2. Both outputs on this module are single ended and are referenced internally to the same user side common which is isolated from the Series Three ground.
3. All OV (user side common) points are connected together internally in this module.
4. If multiple destinations are connected to the same output module, their reference points (OV) must be connected together and be at the same voltage.
5. Twisted-pair cable should be used when possible, twisted pair with shield is preferred.

Figure 1
ANALOG OUTPUT MODULE FACEPLATE

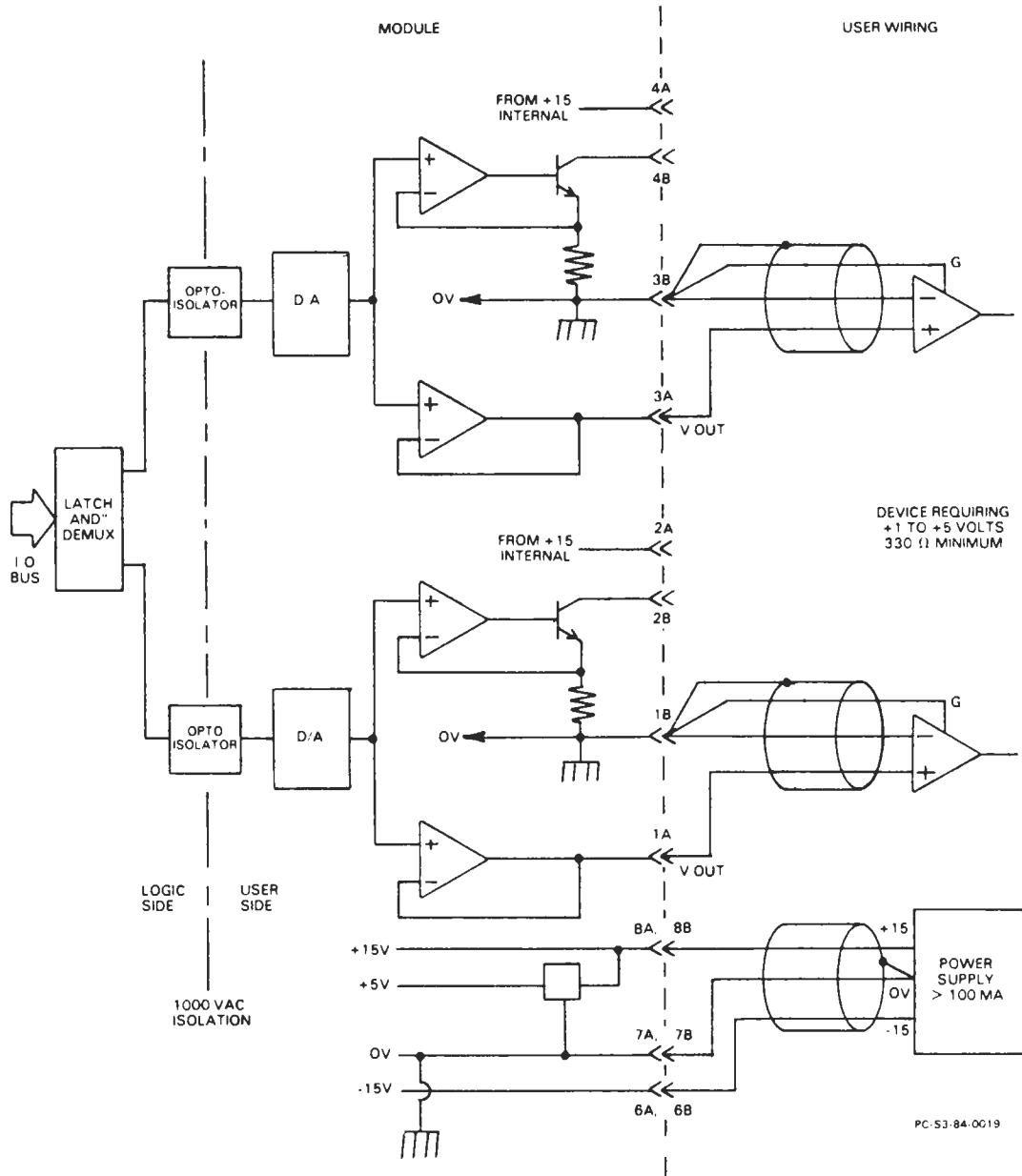
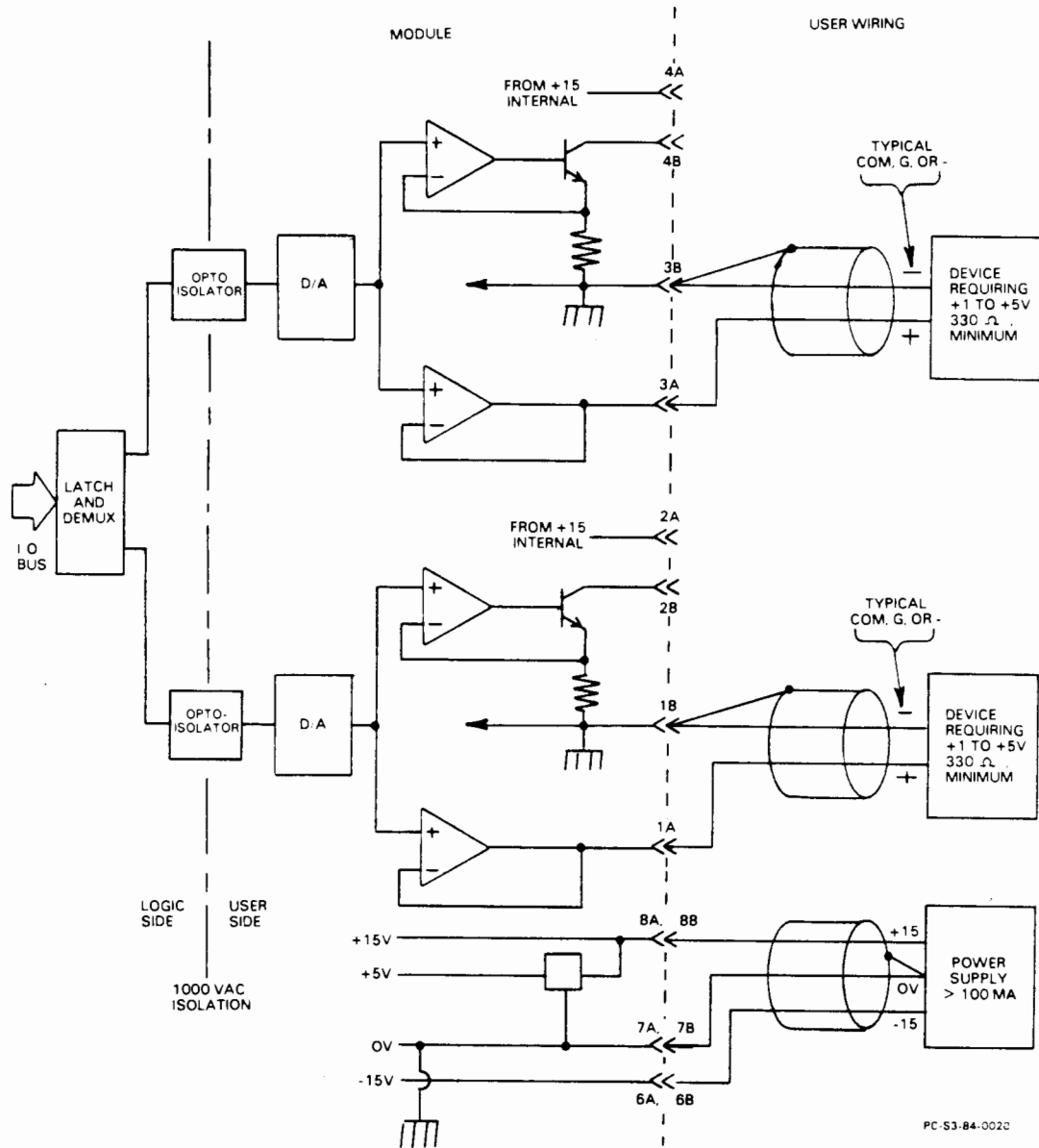


Figure 2
 OUTPUTS DRIVING DIFFERENTIAL VOLTAGE INPUT
 DEVICE, TYPICAL CONNECTIONS



PC-53-84-002C

Figure 3
 OUTPUTS DRIVING SINGLE ENDED VOLTAGE
 INPUT DEVICE, TYPICAL CONNECTIONS

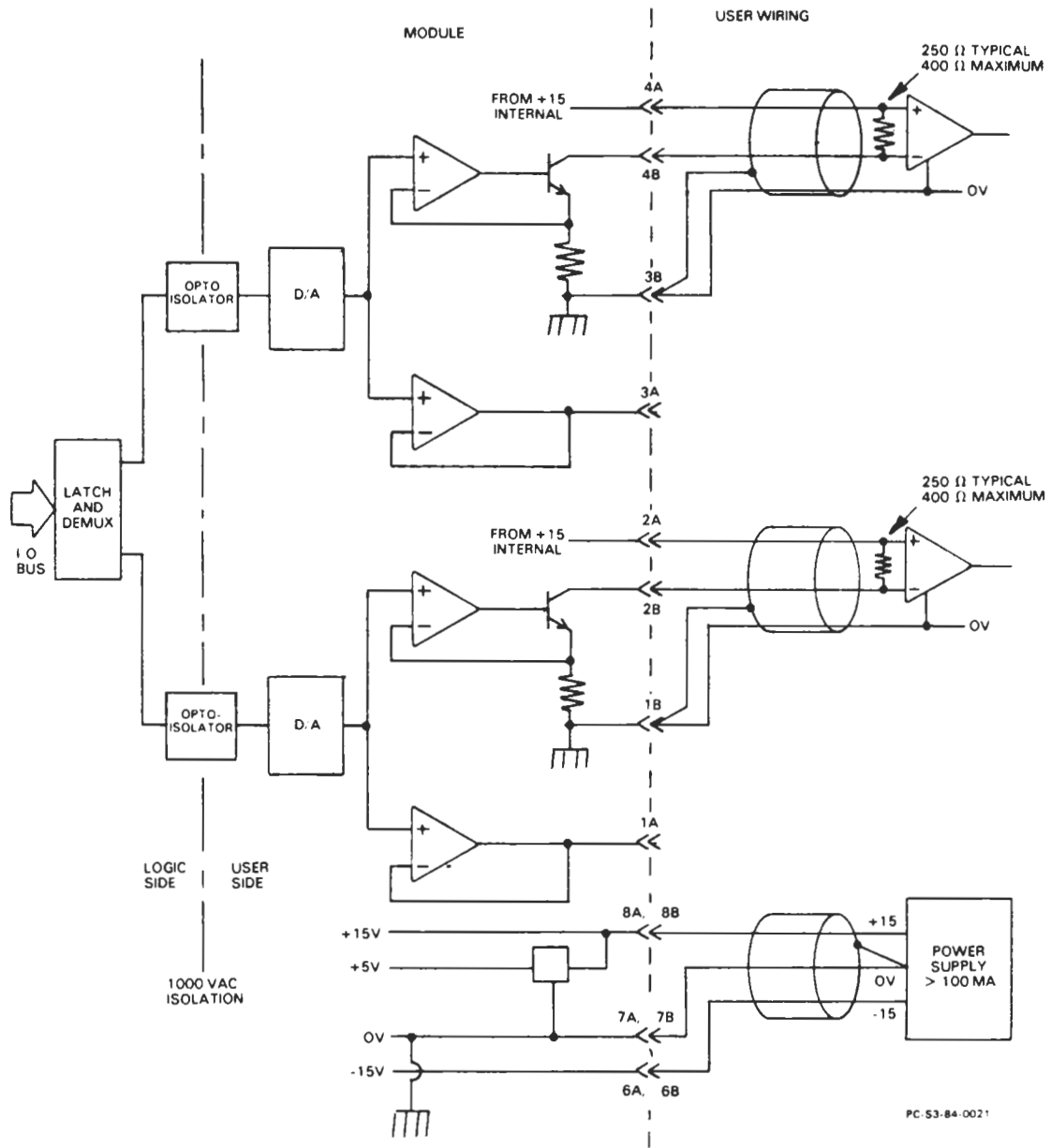


Figure 4
 OUTPUTS DRIVING 4 TO 20 MA DEVICES WITH INTERNAL SUPPLY
 FOR LOOP CURRENTS, TYPICAL CONNECTIONS

DATA FORMAT

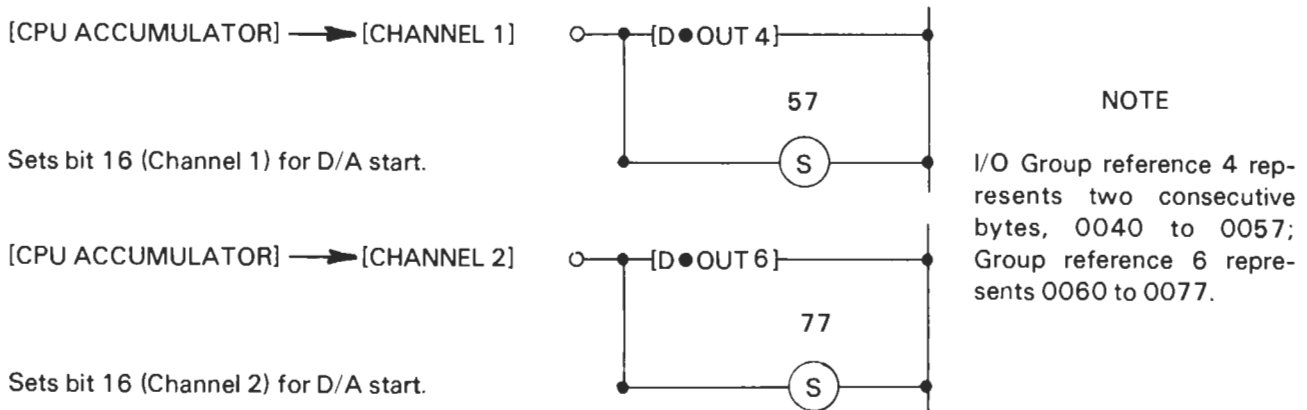
An Analog Output module uses 32 consecutive I/O points beginning with the first I/O point for the I/O slot selected for the module. Each of the 2 channels uses 12 of the 32 points for data. The following table shows the data format for each channel relative to I/O points.

| I/O POINT | CHANNEL | BIT | I/O POINT | CHANNEL | BIT |
|-----------|---------|-----------|-----------|---------|-----------|
| n 0 | 1 | 0 | n+2 0 | 2 | 0 |
| 1 | | 1 | 1 | | 1 |
| 2 | | 2 | 2 | | 2 |
| 3 | | 3 | 3 | | 3 |
| 4 | | 4 | 4 | | 4 |
| 5 | | 5 | 5 | | 5 |
| 6 | | 6 | 6 | | 6 |
| 7 | | 7 | 7 | | 7 |
| n+1 0 | CH 1 | 8 | n+3 0 | CH 2 | 8 |
| 1 | | 9 | 1 | | 9 |
| 2 | | 10 | 2 | | 10 |
| 3 | | 11 | 3 | | 11 |
| 4 | | Not Used | 4 | | Not Used |
| 5 | | Not Used | 5 | | Not Used |
| 6 | | Not Used | 6 | | Not Used |
| 7 | | D/A Start | 7 | | D/A Start |

n = I/O Point XX0 (e.g. 0040 to 0077)

PROGRAMMING

The Series Three must be programmed to transfer a 12-bit binary value to the CPU's accumulator, and then transfer the accumulator content to Channel 1 or Channel 2 for conversion to an analog level. This is done by moving the binary value in the accumulator to the D/A module's selected channel by using a D●OUT instruction. The D/A conversion is initiated by setting bit 16 of the data format for a channel in the D/A module. Examples of the required programming instructions are shown below. Assume that the D/A module is inserted in an I/O slot that uses I/O points 0040 to 0077.



PRODUCT: Series Three
CATEGORY: Product Information
SUBJECT: Analog Input Module, IC630MDL316A
AUTHOR: H. A. Konat

4A-009
April 27, 1984

This bulletin describes the Analog Input module, which is now available for shipment. This information will be included in a future revision of the Series Three Manual, GEK-25376.

The Analog Input module provides two independent input channels capable of converting an analog input signal to a digital signal. The user can select, by jumper placement, to use either voltage or current inputs as required by the application. Resolution is 12 bits and the 12-bit binary LED display provides a visual indication of the input. A toggle switch selects the channel to be monitored by the LED display (Channel 1 or 2).

This module can interface to either single ended or differential voltage sources or to a current source. The analog-to-digital (A/D) converter on this module is an integrating type converter. The integrating converter provides immunity to noise spikes and has excellent 60 Hertz noise rejection. Opto-isolators on the module provide 1000 Vac of isolation between the user inputs and the base power supply. An Analog Input module consumes 32 consecutive I/O points, beginning with the first I/O point of the selected I/O slot.

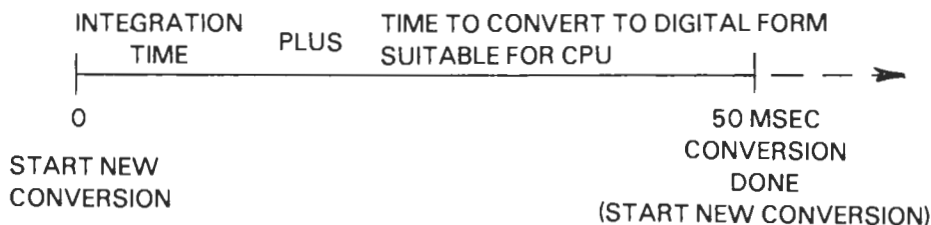
User field wiring is made to a 16-pin connector which mates with a connector mounted on the faceplate. One connector is provided with each module. Specifications for this module are provided in the following table.

Table 1
ANALOG INPUT SPECIFICATIONS
IC630MDL316A

| | |
|---------------------------|--|
| Input Ranges: | +1 to +5V, +1 to +10V, 0 to +10V or 4 to 20 ma (jumper selectable) |
| Channels: | 2 |
| Resolution: | 12 Bit Binary (1 part in 4096) |
| Field Wiring Termination: | One 16-pin Connector |
| Visual Display: | 12 LEDs (12 bit Binary Display Indicating Input Voltage or Current) Can be used to estimate percent of full scale |
| I/O Points Required: | 32 Consecutive I/O Points (12 modules maximum) |
| Operating Temperature: | 0° to 60°C |
| Storage Temperature: | -40° to 100°C |
| Humidity: | 5% to 95% (non-condensing) |
| Input Types: | Differential, Single Ended or Current (Jumper Selectable) |
| Impedance: | 1 M Ω Minimum (Voltage) 250 Ω Typical (Current) |
| External Power Source: | \pm 15V, 150 mA (supplied by user) |
| Absolute Maximum Ratings: | Input Voltage, \pm 15V |
| Conversion Time: | 50 msec (minimum time between samples) |
| Sample Time: | 50 msec plus one scan (typical) |
| Accuracy: | \pm .4% at 25°C |
| Linearity: | \pm .01% |
| Accuracy vs. Temperature: | \pm 100 ppm (parts per million) per 1°C |
| 5 Vdc Power Consumption: | 300 mA Maximum (supplied by Series Three power supply) |

Explanation of Conversion Time and Sample Time

Conversion Time: The time required to look at the input signal, convert it to a digital value and otherwise prepare it for use by the CPU. For the IC630MDL316A, this time is 50 ms.



Sample Time:

The time between successive readings of the analog input that will result in new data being used by the CPU. For the IC630MDL316A, this time is typically one conversion time plus CPU scan time (one conversion time plus two scan times worse case). This is the key timing parameter that must be considered in system designs using this module.

Assume typical CPU scan time is 20 msec (represents typical scan time for a system with 2K memory and 256 I/O).

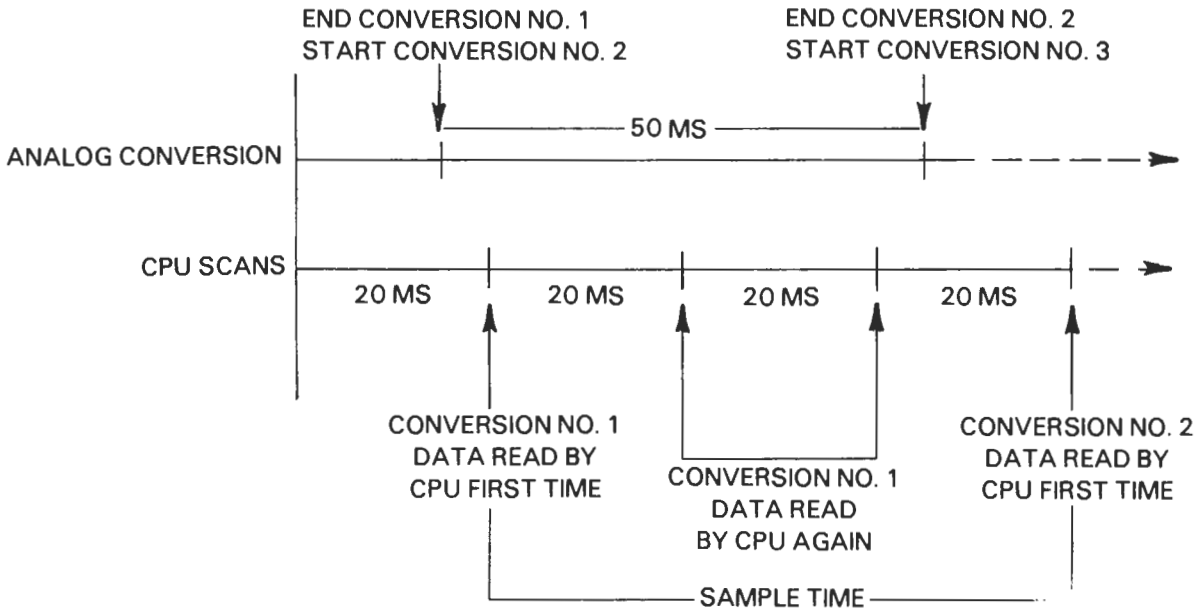


Figure 1 is an illustration of the faceplate for the Analog Input module.

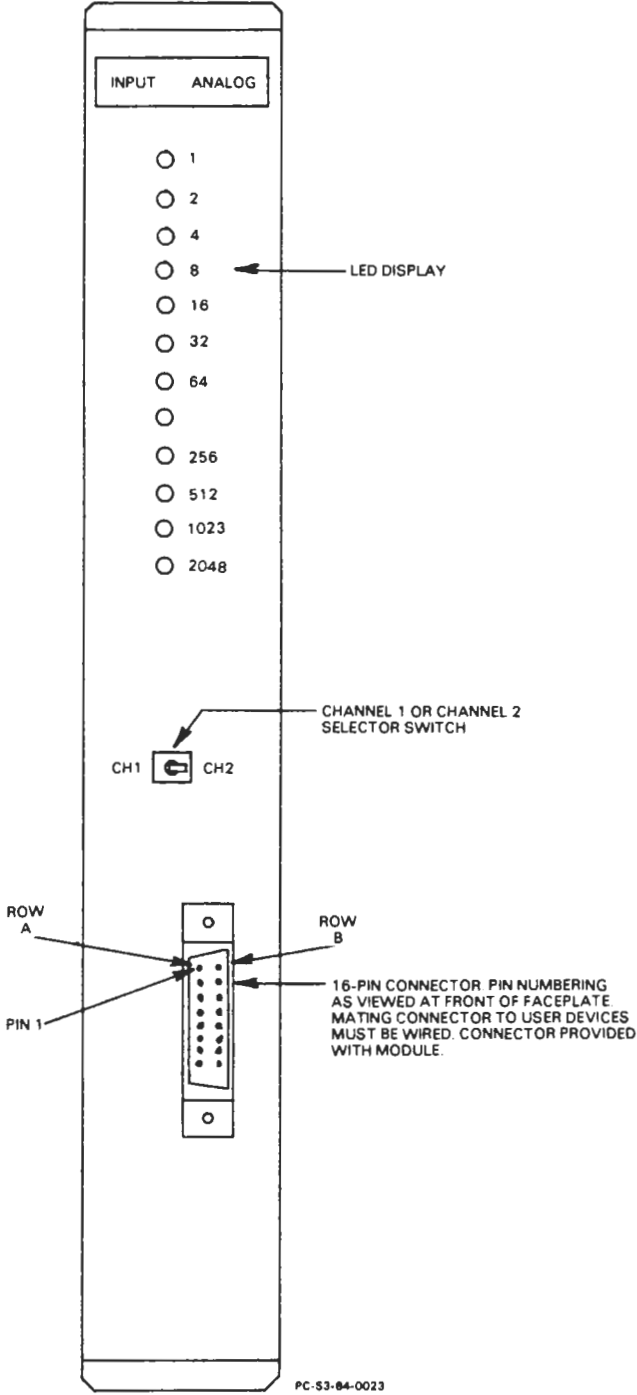


Figure 1
ANALOG INPUT MODULE FACEPLATE

Figure 2 is an illustration of the Analog Input module showing jumper locations and definitions. Straps on each of the 4 jumper positions must be configured to correspond to the voltage or current input required for a particular application.

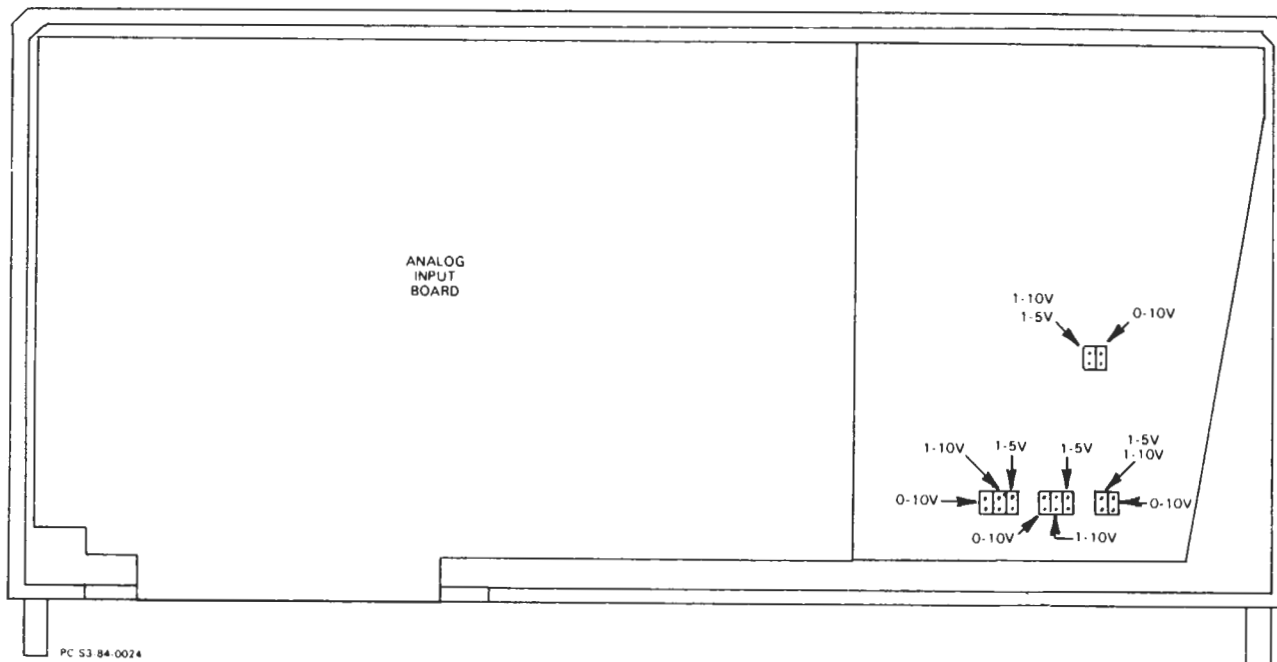


Figure 2
JUMPER LOCATIONS

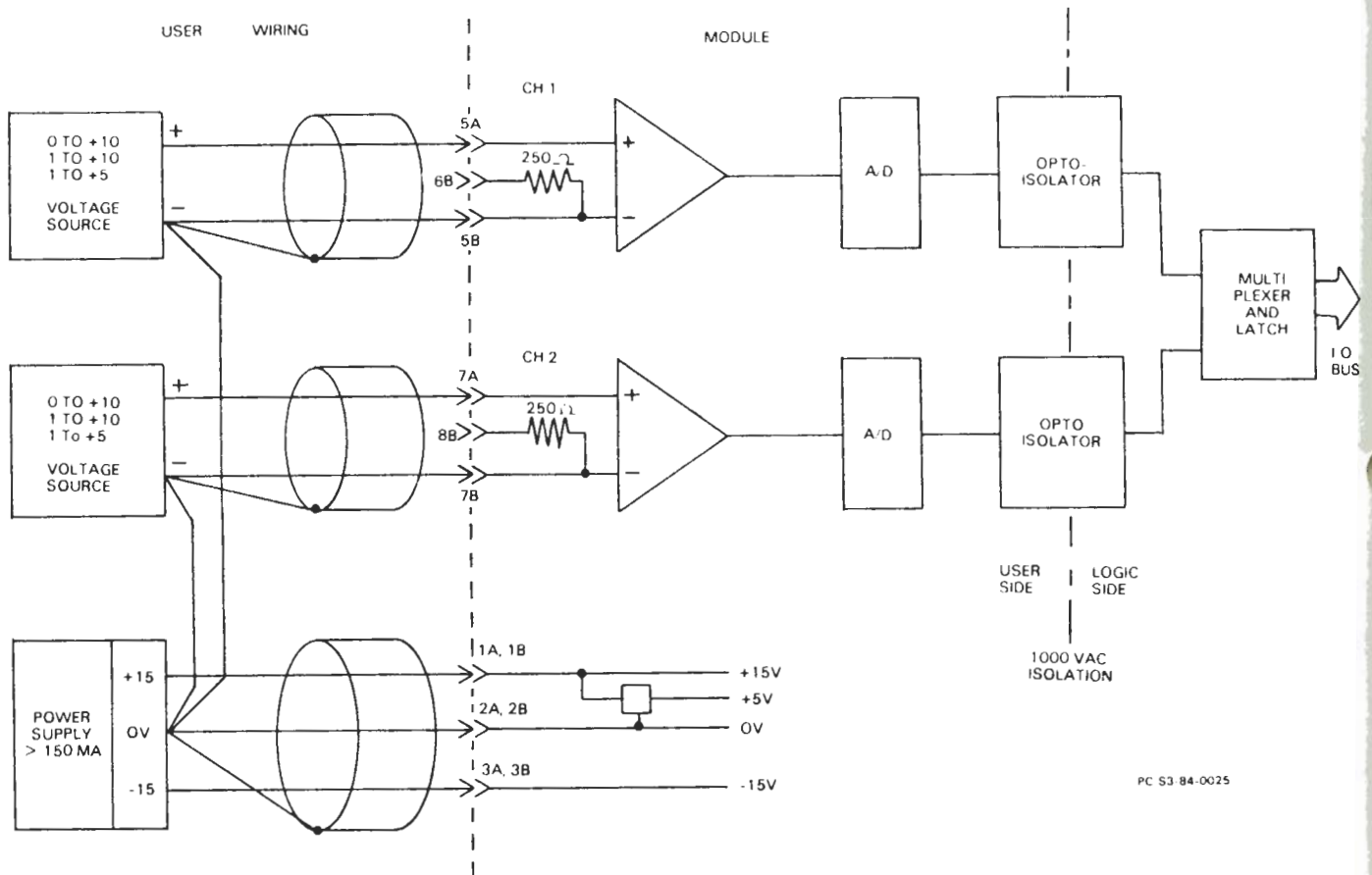
NOTE

4-20 mA jumper positions are the same as the 1-5V positions.

The Analog Input module can be driven from differential, single ended, or current devices. Electrical connections for each type of device are shown in the following group of figures. For each figure a block diagram of the module is shown and the connections required for interfacing to the various types of inputs.

NOTE

Twisted-pair cable is recommended for user connections whenever possible. Twisted pair with shield is preferred.



PC S3 84-0025

Figure 3
 SINGLE ENDED VOLTAGE INPUT, TYPICAL CONNECTIONS

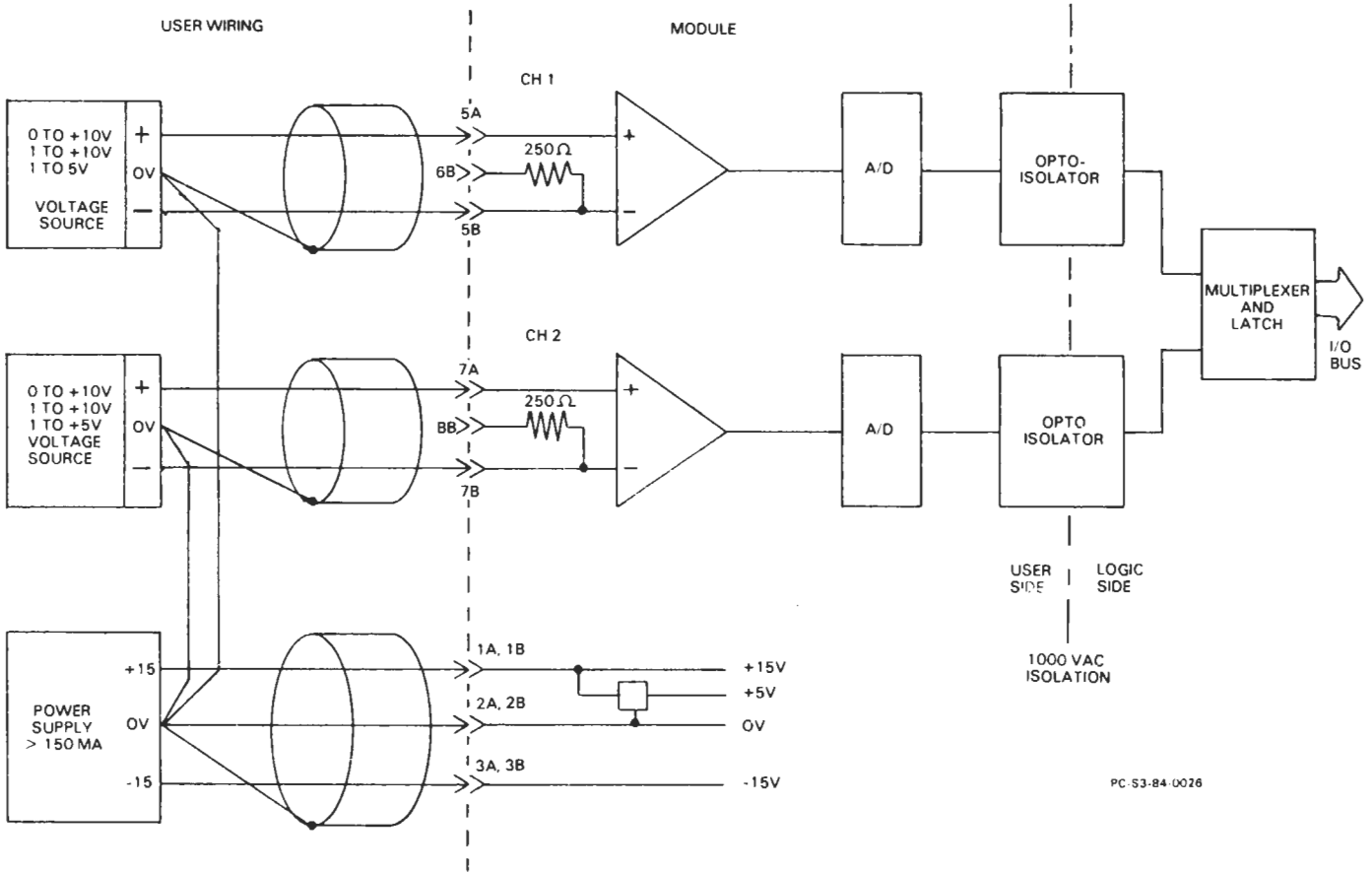


Figure 4
 DIFFERENTIAL VOLTAGE INPUT, TYPICAL CONNECTIONS

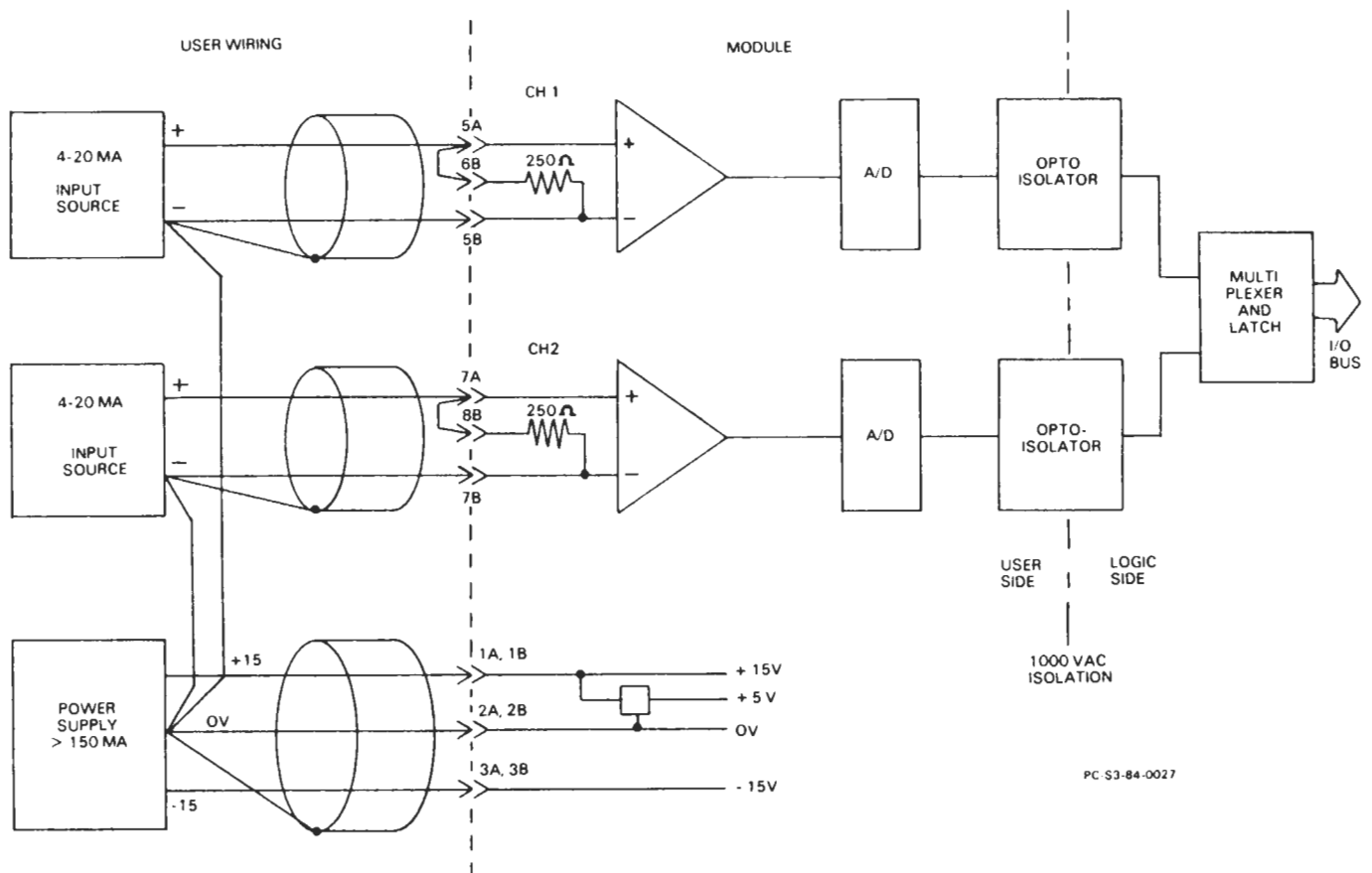


Figure 5
 4 TO 20 MA SELF POWERED INPUT SOURCE,
 TYPICAL CONNECTIONS

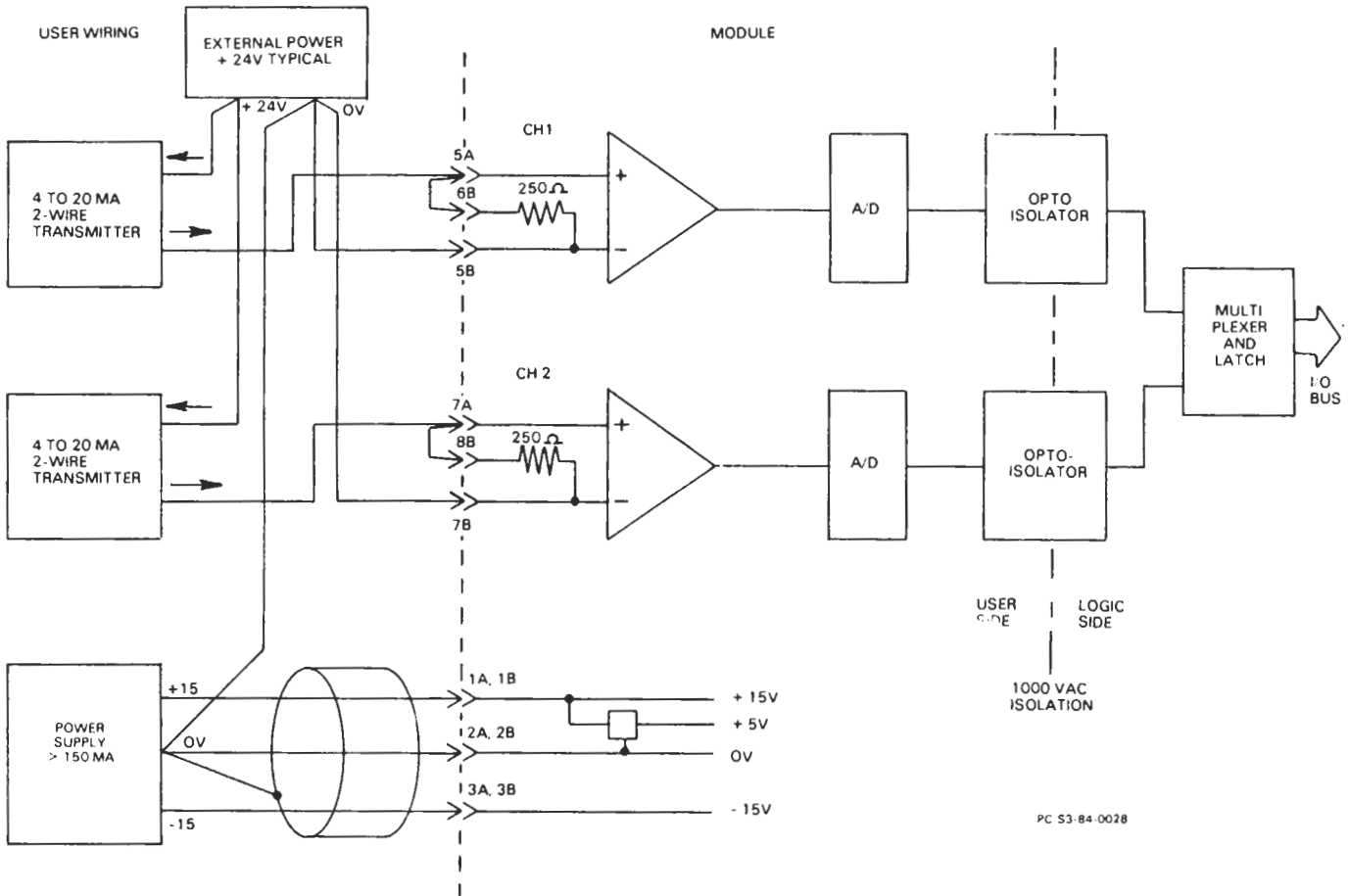


Figure 6
 4 TO 20 MA, WIRE TRANSMITTER (REQUIRING
 EXTERNAL POWER), TYPICAL CONNECTIONS

DATA FORMAT

An Analog Input module uses 32 consecutive I/O points beginning with the first I/O point for the I/O slot selected for the module. Each of the 2 channels uses 12 of the 32 points for data. The following table shows the data format for each channel relative to I/O points.

Table 2
 ANALOG INPUT DATA FORMAT

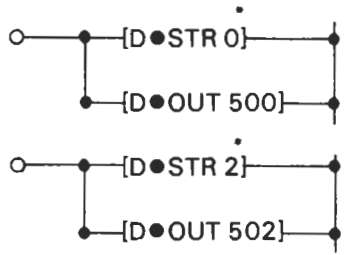
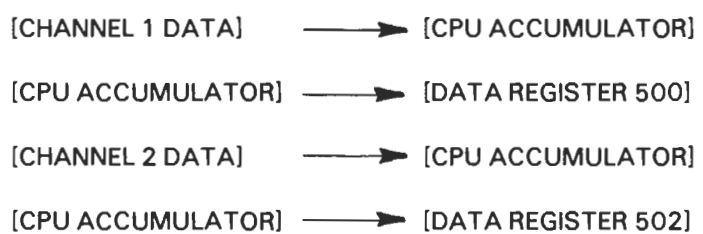
| I/O POINT | CHANNEL | BIT | I/O POINT | CHANNEL | BIT |
|-----------|---------|-----|-----------|---------|-----|
| n 0 | 1 ↓ | 0 | n+2 0 | 2 ↓ | 0 |
| 1 | | 1 | 1 | | 1 |
| 2 | | 2 | 2 | | 2 |
| 3 | | 3 | 3 | | 3 |
| 4 | | 4 | 4 | | 4 |
| 5 | | 5 | 5 | | 5 |
| 6 | | 6 | 6 | | 6 |
| 7 | | 7 | 7 | | 7 |
| n+1 0 | | 8 | n+3 0 | | 8 |
| 1 | | 9 | 1 | | 9 |
| 2 | | 10 | 2 | | 10 |
| 3 | | 11 | 3 | | 11 |
| 4 | | OFF | 4 | | low |
| 5 | | • | 5 | | low |
| 6 | | | 6 | | low |
| 7 | | | 7 | | low |

n = I/O Point XX0 (e.g. 000 to 037)

• These bits are not used and are always off (logic 0).

PROGRAMMING

The Series Three must be programmed to transfer the Analog Input data to the CPU for processing after it has been converted to a 12-bit binary value. This is done by using the D●STR (Data Store) instruction. When programming the D●STR, the first I/O point of a group of 16 consecutive I/O points must be specified for the Analog Input channel selected. If data is to be read from both channels, then two D●STR instructions are required. After data is loaded into the CPU's accumulator, it must then be processed or loaded into a register or sent to an output. Examples of the required programming instructions are shown below. In this example, assume that the Analog Input module is inserted into the I/O slot next to the CPU and therefore uses I/O points 0000 to 0037.



* I/O Group reference 0 represents two unsecutive bytes, 0000 to 0017; Group reference 2 represents 0020 to 0037.

PC

Marketing Information

MIL No. 5-2

PRODUCT: Series Three Programmable Controller
CATEGORY: Product Information
SUBJECT: 230 VAC Input Module, IC630MDL327A
AUTHOR: H. A. Konat

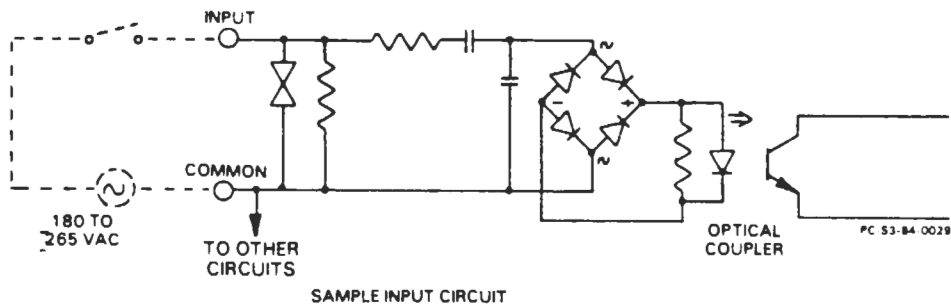
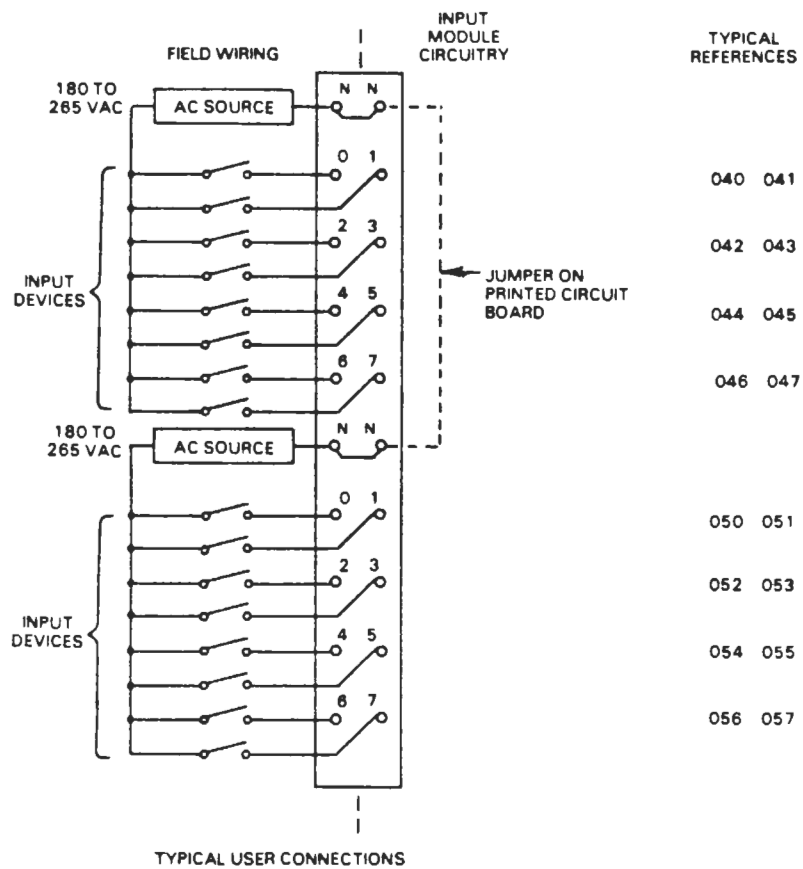
July 31, 1984

This bulletin describes a new product offering, the 230 VAC Input module, now available for shipment. This information will be included in a future revision of the Series Three Manual, GEK-25376.

The 230 VAC Input module has 16 Inputs arranged in two groups with 8 Inputs in each group. An AC voltage source should be connected as shown in the illustration, one side of the voltage source to N, the other side to the input device. The voltage source can be 180 to 265 VAC. The neutral connections are tied together internally. Specifications for this module are listed below.

| | |
|----------------------------|---|
| Input Points | 16 |
| Input Voltage | 180 to 265 VAC |
| AC Frequency | 48 to 63 Hz |
| Input current | 10.5 mA (180 VAC, 60 Hz), Typical 15.0 mA (265 VAC, 60 Hz), Typical 18.0 mA (265 VAC, 60 Hz), Maximum |
| ON Voltage | Above 180 VAC |
| OFF Voltage | Below 40 VAC |
| OFF to ON Response | 5-50 msec |
| ON to OFF Response | 5-60 msec |
| LED Indicators | Logic Side |
| Internal Power Consumption | 5 VDC, 90 mA |

Field connections are made to screw terminals on a terminal block mounted on the faceplate. Each terminal will accept up to one No. 12 AWG wire or two No. 14 wire.



Programmable Control Department • General Electric Company
Charlottesville, Virginia 22906, USA

GENERAL  **ELECTRIC**

